

THROUGH-PENETRATION FIRESTOP SYSTEM

Assembly Usage Disclaimer

Search Parameters

Manufacturer

Holdrite

XHEZ - Through-penetration Firestop Systems

XHEZ7 - Through-penetration Firestop Systems Certified for Canada

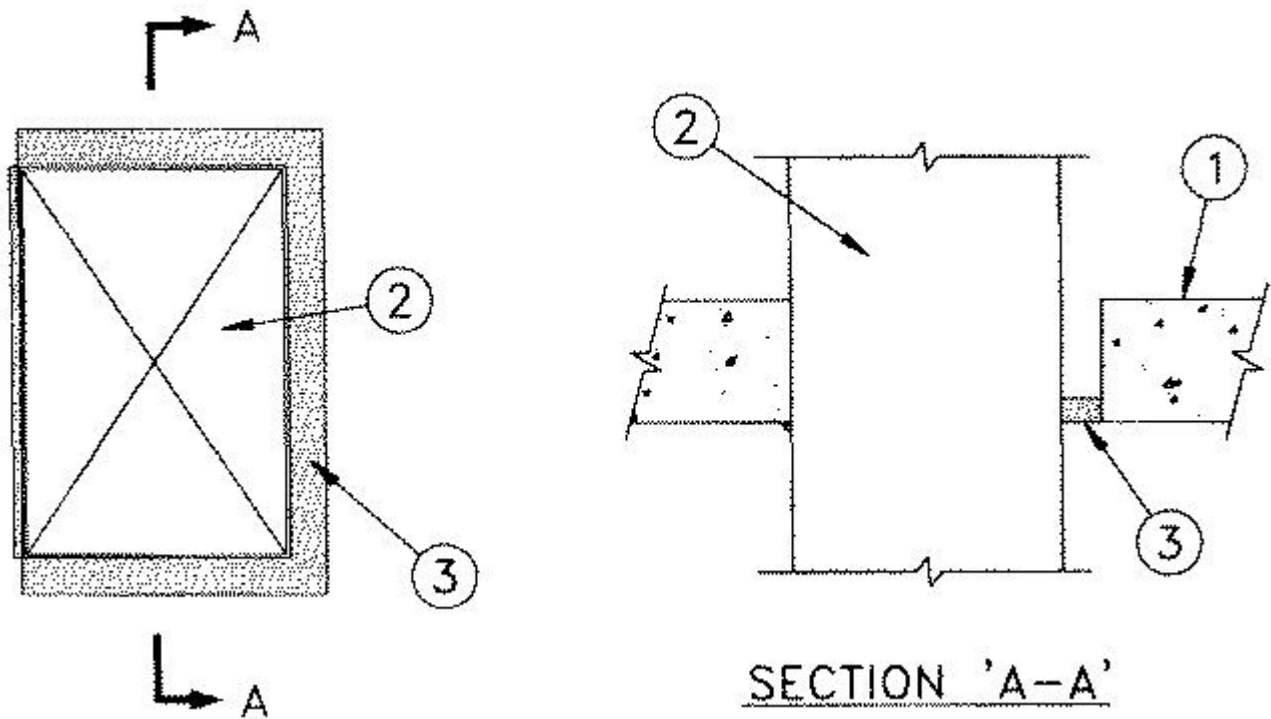
[See General Information for Through-penetration Firestop Systems](#)

[See General Information for Through-penetration Firestop Systems Certified for Canada](#)

System No. C-AJ-7202

January 24, 2019

ANSI/UL1479 (ASTM E814)	CAN/ULC S115
F Ratings - 2 Hr	F Ratings - 2 Hr
T Ratings - 0 Hr	FT Ratings - 0 Hr
	FH Ratings - 2 Hr
	FTH Ratings - 0 Hr
L Rating At Ambient - Less Than 1 CFM/sq ft	L Rating At Ambient - Less Than 1 CFM/sq ft
L Rating At 400°F - Less Than 1 CFM/sq ft	L Rating At 400°F - Less Than 1 CFM/sq ft



1. **Floor or Wall Assembly** — Min 4-1/2 in. (114 mm) thick reinforced light weight or normal weight (100-150 pcf or 1600-2400 kg/m³) concrete. Floor may also be constructed of any min 6 in. (152 mm) thick UL Classified hollow core **Precast Concrete Units***. Wall may also be constructed of any UL Classified **Concrete Blocks***. Max area of opening is 364 sq. in. (2348 cm²) with max dimension of 26 in. When precast concrete units are used the max area of opening is 49 sq. in. (316 cm²) with max dimension of 7 in. (178 mm).

See **Concrete Blocks (CAZT)** and **Precast Concrete Units*** (CFTV) categories in the Fire Resistance Directory for names of manufacturers.

2. **Steel Duct** — Nom 24 by 12 in. (610 by 305 mm) (or smaller) by No. 24 gauge (or heavier) galv steel duct. One steel duct to be positioned within the firestop system. The annular space shall be min 0 in. (point contact) to max 2 in. (51 mm). Duct to be rigidly supported on both sides of floor or wall assembly.

3. **Firestop System** — The firestop system shall consist of the following:

A. **Packing Material** — (not shown). Min 1 in. (25 mm) thick polystyrene board, firmly packed into opening as a permanent form. Packing material to be recessed from bottom or top surface of floor or from one surface of wall to accommodate the required thickness of fill material.

B. **Fill, Void, or Cavity Materials* - Sealant** — Min 1 in. (25 mm) thickness of fill material applied within the annulus, flush with either the top or bottom surface of floor or one surface of wall. When wall is constructed of concrete blocks, fill material shall be installed within the annular space on both sides of the wall. When the floor is constructed of hollow-core precast concrete units, fill material shall

be installed on the bottom side of the floor. At the point contact location between duct and concrete a min 3/8 in. (10 mm) diam bead of fill material shall be applied at the concrete/duct interface on the same side of floor or wall as the sealant in the annular space bottom or top surface of floor or one surface of wall.

**RELIANCE WORLDWIDE CORPORATION DBA HOLDRITE
HYDROFLAME — HydroFlame 100**

*** Indicates such products shall bear the UL or cUL Certification Mark for jurisdictions employing the UL or cUL Certification (such as Canada), respectively.**

Last Updated on 2019-01-24

Design/System/Construction/Assembly Usage Disclaimer

- Authorities Having Jurisdiction should be consulted in all cases as to the particular requirements covering the installation and use of UL Certified products, equipment, system, devices, and materials.
- Authorities Having Jurisdiction should be consulted before construction.
- Fire resistance assemblies and products are developed by the design submitter and have been investigated by UL for compliance with applicable requirements. The published information cannot always address every construction nuance encountered in the field.
- When field issues arise, it is recommended the first contact for assistance be the technical service staff provided by the product manufacturer noted for the design. Users of fire resistance assemblies are advised to consult the general Guide Information for each product category and each group of assemblies. The Guide Information includes specifics concerning alternate materials and alternate methods of construction.
- Only products which bear UL's Mark are considered Certified.

The appearance of a company's name or product in this database does not in itself assure that products so identified have been manufactured under UL's Follow-Up Service. Only those products bearing the UL Mark should be considered to be Certified and covered under UL's Follow-Up Service. Always look for the Mark on the product.

UL permits the reproduction of the material contained in the Online Certification Directory subject to the following conditions: 1. The Guide Information, Assemblies, Constructions, Designs, Systems, and/or Certifications (files) must be presented in their entirety and in a non-misleading manner, without any manipulation of the data (or drawings). 2. The statement "Reprinted from the Online Certifications Directory with permission from UL" must appear adjacent to the extracted material. In addition, the reprinted material must include a copyright notice in the following format: "© 2019 UL LLC".