

# THROUGH-PENETRATION FIRESTOP SYSTEM

Assembly Usage Disclaimer

## Search Parameters

Manufacturer

Holdrite

### XHEZ - Through-penetration Firestop Systems

#### XHEZ7 - Through-penetration Firestop Systems Certified for Canada

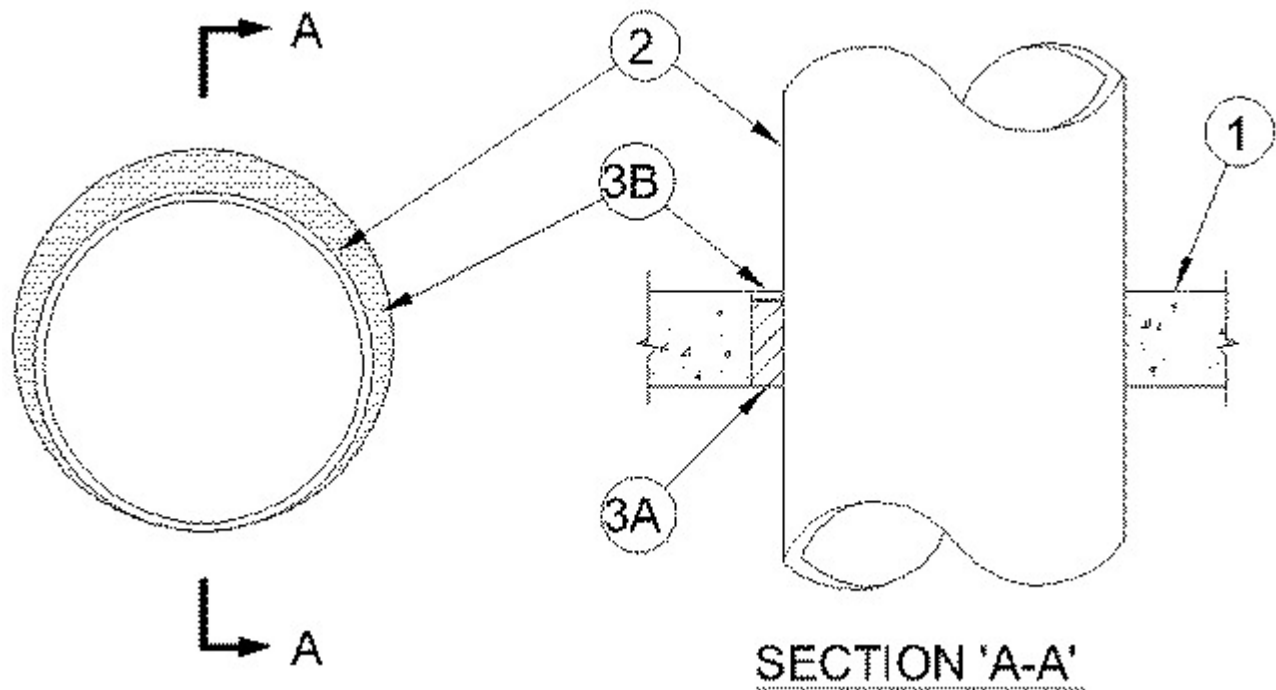
[See General Information for Through-penetration Firestop Systems](#)

[See General Information for Through-penetration Firestop Systems Certified for Canada](#)

#### System No. C-AJ-7205

January 25, 2019

ANSI/UL1479 (ASTM E814)	CAN/ULC S115
F Ratings - 3 Hr	F Ratings - 3 Hr
T Ratings - 0 Hr	FT Ratings - 0 Hr
	FH Ratings - 3 Hr
	FTH Ratings - 0 Hr
L Rating At Ambient - Less Than 1 CFM/sq ft	L Rating At Ambient - Less Than 1 CFM/sq ft
L Rating At 400°F - Less Than 1 CFM/sq ft	L Rating At 400°F - Less Than 1 CFM/sq ft



1. **Floor or Wall Assembly** — Min 4-1/2 in. (114 mm) thick floor or 5 in. (127 mm) thick wall of reinforced lightweight or normal weight (100-150 pcf or 1600-2400 kg/m<sup>3</sup>) concrete. Wall may also be constructed of any UL Classified **Concrete Blocks\***. Max diam of opening is 28 in. (711 mm).

See **Concrete Blocks** (CAZT) category in the Fire Resistance Directory for names of manufacturers.

2. **Steel Duct** — Nom 24 in. (610 mm) diam (or smaller) No. 22 gauge (or heavier) steel HVAC duct to be installed either concentrically or eccentrically within the firestop system. The annular space between duct and periphery of opening shall be min 0 in (point contact) to max 4 in. (102 mm). Duct to be rigidly supported on both sides of floor or wall assembly.

3. **Firestop System** — The firestop system shall consist of the following;

A. **Packing Material** — Min 4 in. (102 mm) thickness of min 4 pcf (64 kg/m<sup>3</sup>) mineral wool batt insulation firmly packed into opening as a permanent form. Packing material to be recessed from top surface of floor or from both surfaces of wall to accommodate the required thickness of fill material.

B. **Fill, Void or Cavity Material\* - Sealant** — Min 1/2 in. (13 mm) thickness of fill material applied within the annulus, flush with top surface of floor or with both surfaces of wall. Additional fill material installed to form a min 1/4 in. (6 mm) bead at the point of contact of the duct and periphery of the opening on the top floor surface or both wall surfaces.

**RELIANCE WORLDWIDE CORPORATION DBA HOLDRITE  
HYDROFLAME** — HydroFlame 100

**\* Indicates such products shall bear the UL or cUL Certification Mark for jurisdictions employing the UL or cUL Certification (such as Canada), respectively.**

Last Updated on 2019-01-25

---

## **Design/System/Construction/Assembly Usage Disclaimer**

- Authorities Having Jurisdiction should be consulted in all cases as to the particular requirements covering the installation and use of UL Certified products, equipment, system, devices, and materials.
- Authorities Having Jurisdiction should be consulted before construction.
- Fire resistance assemblies and products are developed by the design submitter and have been investigated by UL for compliance with applicable requirements. The published information cannot always address every construction nuance encountered in the field.
- When field issues arise, it is recommended the first contact for assistance be the technical service staff provided by the product manufacturer noted for the design. Users of fire resistance assemblies are advised to consult the general Guide Information for each product category and each group of assemblies. The Guide Information includes specifics concerning alternate materials and alternate methods of construction.
- Only products which bear UL's Mark are considered Certified.

---

The appearance of a company's name or product in this database does not in itself assure that products so identified have been manufactured under UL's Follow-Up Service. Only those products bearing the UL Mark should be considered to be Certified and covered under UL's Follow-Up Service. Always look for the Mark on the product.

UL permits the reproduction of the material contained in the Online Certification Directory subject to the following conditions: 1. The Guide Information, Assemblies, Constructions, Designs, Systems, and/or Certifications (files) must be presented in their entirety and in a non-misleading manner, without any manipulation of the data (or drawings). 2. The statement "Reprinted from the Online Certifications Directory with permission from UL" must appear adjacent to the extracted material. In addition, the reprinted material must include a copyright notice in the following format: "© 2019 UL LLC".

UL and the UL logo are trademarks of UL LLC © 2019 All Rights Reserved.