

THROUGH-PENETRATION FIRESTOP SYSTEM

Assembly Usage Disclaimer

Search Parameters

Manufacturer

Holdrite

XHEZ - Through-penetration Firestop Systems

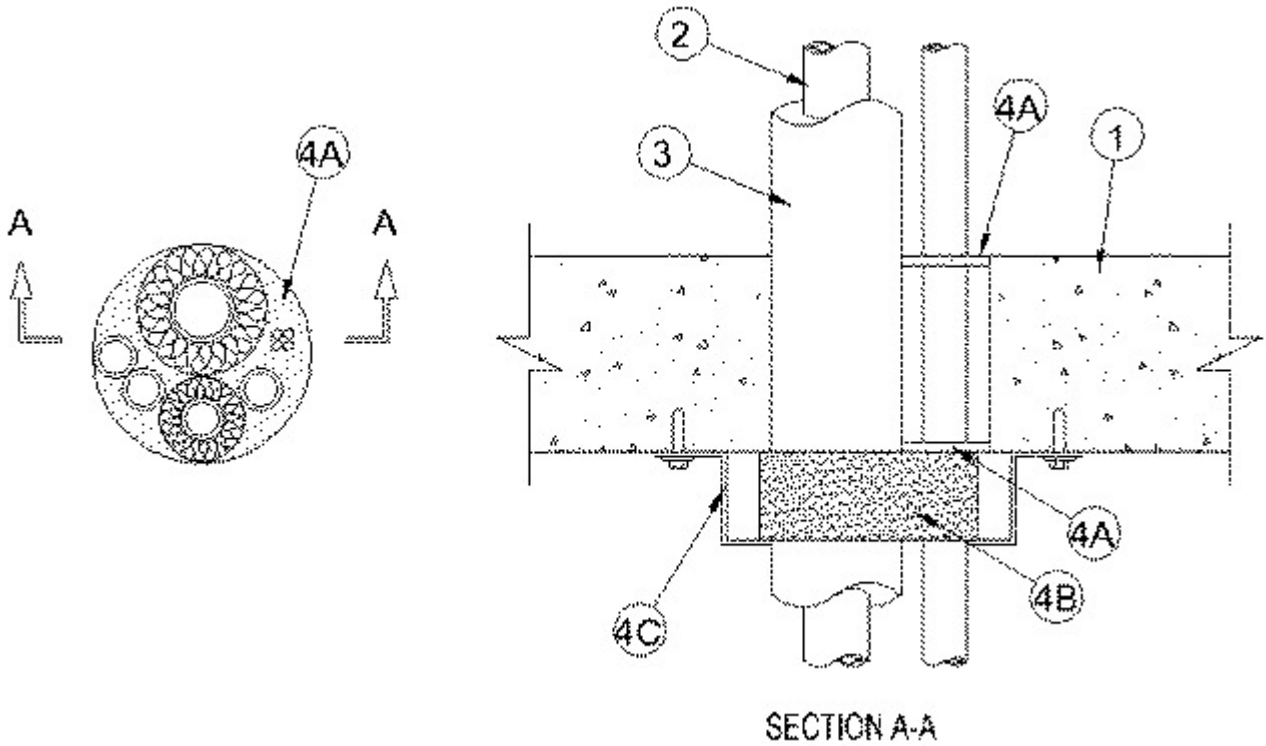
See General Information for Through-penetration Firestop Systems

System No. C-AJ-8295

February 04, 2019

F Rating — 2 Hr

T Rating — 3/4 Hr



1. **Floor or Wall Assembly** — Min 2-1/2 in. (64 mm) thick reinforced lightweight or normal weight (100-150 pcf or 1600-2400 kg/m³) concrete. Wall may also be constructed of any UL Classified **Concrete Blocks***. Max diam of opening 5 in. (127 mm).

See **Concrete Blocks** (CAZT) category in Fire Resistance Directory for names of manufacturers.

2. **Through Penetrants** — A max of five pipes, conduits or tubes and a max of four cable lengths to be installed within the opening. Annular space between the penetrants and the periphery of the opening shall be min 0 in. (point contact) to max 3/4 in. (19 mm). Penetrants to be rigidly supported on both sides of floor or wall assembly. The following types and sizes of metallic pipes, conduits or tubing may be used:

A. **Metallic Pipes** — A max of four metallic pipes, conduits or tubing may be used. The following types and sizes may be used:

A1. **Steel Pipe** — Nom 1 in. (25 mm) diam (or smaller) Schedule 5 (or heavier) steel pipe.

A2. **Conduit** — Nom 1 in. (25 mm) diam (or smaller) electrical metallic tubing or rigid steel conduit.

A3. **Copper Tubing** — Nom 1 in. (25 mm) diam (or smaller) Type L (or heavier) copper tubing.

A4. **Copper Pipe** — Nom 1 in. (25 mm) diam (or smaller) Regular (or heavier) copper pipe.

B. **Nonmetallic Pipes** — A max of one nonmetallic pipe or conduit may be used. A min 1/4 in. (6 mm) space must be maintained between uninsulated metallic pipes, conduits or tubing and nonmetallic pipes or conduits. The following types and sizes of nonmetallic pipes or conduits may be used:

B1. **Polyvinyl Chloride (PVC) Pipe** — Nom 1-1/2 in. (328 mm) diam (or smaller) Schedule 40 solid or cellular core PVC pipe for use in closed (process or supply) or vented (drain, waste or vent) piping system.

B2. **Chlorinated Polyvinyl Chloride (CPVC) Pipe** — Nom 1-1/2 in. (38 mm) diam (or smaller) SDR 13.5 or Schedule 40 CPVC pipe for use in closed (process or supply) piping systems. Schedule 40 CPVC pipe for use in vented (drain, waste or vent) piping systems.

B3. **Rigid Nonmetallic Conduit++** — Nom 1-1/2 in. (38 mm) diam (or smaller) Schedule 40 PVC

conduit installed in accordance with the National Electrical Code (NFPA No. 70.)

C. **Cables** — A max of four cables may be used. Two lengths of max 1/C No. 12 AWG power and control cables; XLPE or PVC insulation with XLPE or PVC jacket. One length of max 9 cond. 18 AWG with PVC insulation and jacket. One length of 4/C No. 18 AWG cable.

3. **Pipe Covering** — The following types and sizes of pipe or tube coverings may be used:

A. **Tube Insulation - Plastics++** — Nom 3/4 in. (19 mm) thick acrylonitrile butadiene/polyvinyl chloride (AB/PVC) flexible foam furnished in the form of tubing.

See **Plastics** (QMFZ2) category in the Plastics Recognized Component Directory for names of manufacturers. Any Recognized Component tube insulation material meeting the above specifications and having a UL94 Flammability Classification of 94-5VA may be used.

B. **Pipe Covering*** — Nom 1/2 in. (13 mm) thick hollow cylindrical heavy density glass fiber units jacketed on the outside with an all service jacket. Longitudinal joints sealed with metal fasteners or factory-applied self-sealing lap tape. Transverse joints secured with metal fasteners or with butt tape supplied with the product.

See **Pipe and Equipment Covering - Materials** (BRGU) category in the Building Materials Directory for names of manufacturers. Any pipe covering material meeting the above specifications and bearing the UL Classification Marking with a Flame Spread Index of 25 or less and a Smoke Developed Index of 50 or less may be used.

4. **Firestop System** — The firestop system shall consist of the following:

A. **Fill, Void or Cavity Materials* - Caulk** — Min 1/4 in. (6 mm) thickness of caulk applied within the annulus, flush with both surfaces of floor or wall.

RELIANCE WORLDWIDE CORPORATION DBA HOLDRITE HYDROFLAME — HydroFlame 100, HydroFlame 200

B. **Fill, Void or Cavity Material* — Wrap Strip** — Nom 1/4 in. (6 mm) thick by 2 in. (51 mm) wide intumescent wrap strip. Two layers of wrap strip are individually wrapped around the grouped through-penetrants with ends butted and held in place with masking tape.

Butted ends in successive layer shall be offset. Wrap strip butted tightly against bottom surface of floor or both surfaces of wall.

**RELIANCE WORLDWIDE CORPORATION DBA HOLDRITE
HYDROFLAME — HydroFlame Wrap Strip**

C. **Steel Collar** — Collar fabricated from coils of precut min 0.016 in. thick (No. 28 gauge) galv steel available from fill material manufacturer. Collar shall be nom 2 in. (51 mm) deep with 1 in. (25 mm) wide by 1-1/2 in. (38 mm) long anchor tabs on 4 in. (102 mm) centers for securement to bottom surface of floor or both surfaces of wall by means of 1/4 in. (6 mm) diam by 1-1/4 in. (32 mm) long steel expansion bolts in conjunction with min 3/4 in. (19 mm) diam washers. In addition, collar contains retainer tabs 1/2 in. (13 mm) wide by 3/4 in. (19 mm) long, located opposite the anchor tabs. Collar shall be wrapped over the wrap strip, overlapping min 1 in. (25 mm) The retainer tabs are folded 90 deg towards the pipe to maintain the annular space around the pipe and to retain the wrap strip.

*** Indicates such products shall bear the UL or cUL Certification Mark for jurisdictions employing the UL or cUL Certification (such as Canada), respectively.**

++ Bearing the UL Recognized Component Mark

Last Updated on 2019-02-04

Design/System/Construction/Assembly Usage Disclaimer

- Authorities Having Jurisdiction should be consulted in all cases as to the particular requirements covering the installation and use of UL Certified products, equipment, system, devices, and materials.
- Authorities Having Jurisdiction should be consulted before construction.
- Fire resistance assemblies and products are developed by the design submitter and have been investigated by UL for compliance with applicable requirements. The published information cannot always address every construction nuance encountered in the field.
- When field issues arise, it is recommended the first contact for assistance be the technical service staff provided by the product manufacturer noted for the design. Users of fire resistance assemblies are advised to consult the general Guide Information for each product category and each group of assemblies. The Guide Information includes specifics concerning alternate materials and alternate methods of construction.
- Only products which bear UL's Mark are considered Certified.

The appearance of a company's name or product in this database does not in itself assure that products so identified have been manufactured under UL's Follow-Up Service. Only those products bearing the UL Mark should be considered to be Certified and covered under UL's Follow-Up Service. Always look for the Mark on the product.

UL permits the reproduction of the material contained in the Online Certification Directory subject to the following conditions: 1. The Guide Information, Assemblies, Constructions, Designs, Systems, and/or Certifications (files) must be presented in their entirety and in a non-misleading manner, without any manipulation of the data (or drawings). 2. The statement "Reprinted from the Online Certifications Directory with permission from UL" must appear adjacent to the extracted material. In addition, the reprinted material must include a copyright notice in the following format: "© 2019 UL LLC".

UL and the UL logo are trademarks of UL LLC © 2019 All Rights Reserved.