

# THROUGH-PENETRATION FIRESTOP SYSTEM

Assembly Usage Disclaimer

## Search Parameters

Manufacturer

Holdrite

## XHEZ - Through-penetration Firestop Systems

### XHEZ7 - Through-penetration Firestop Systems Certified for Canada

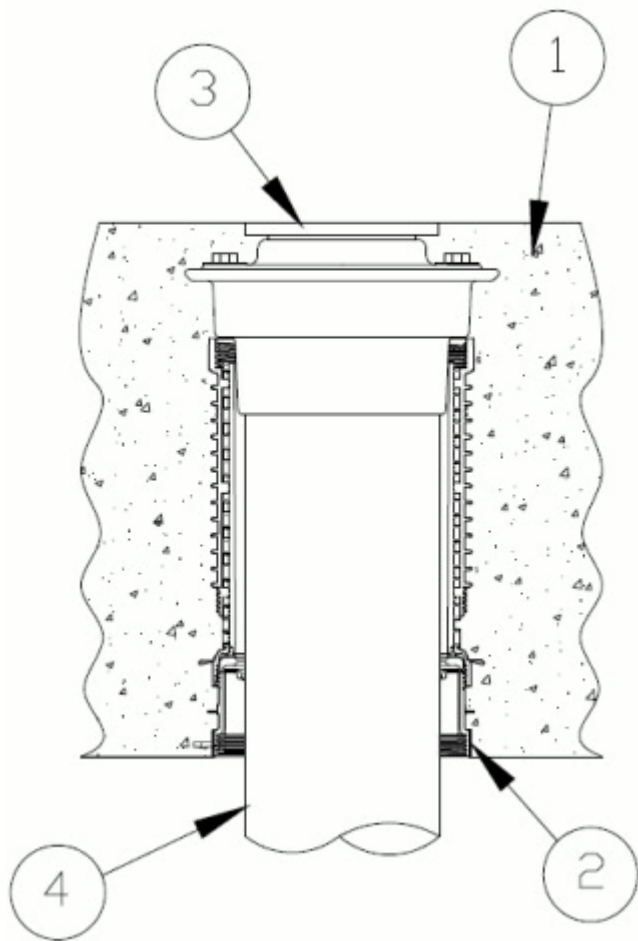
[See General Information for Through-penetration Firestop Systems](#)

[See General Information for Through-penetration Firestop Systems Certified for Canada](#)

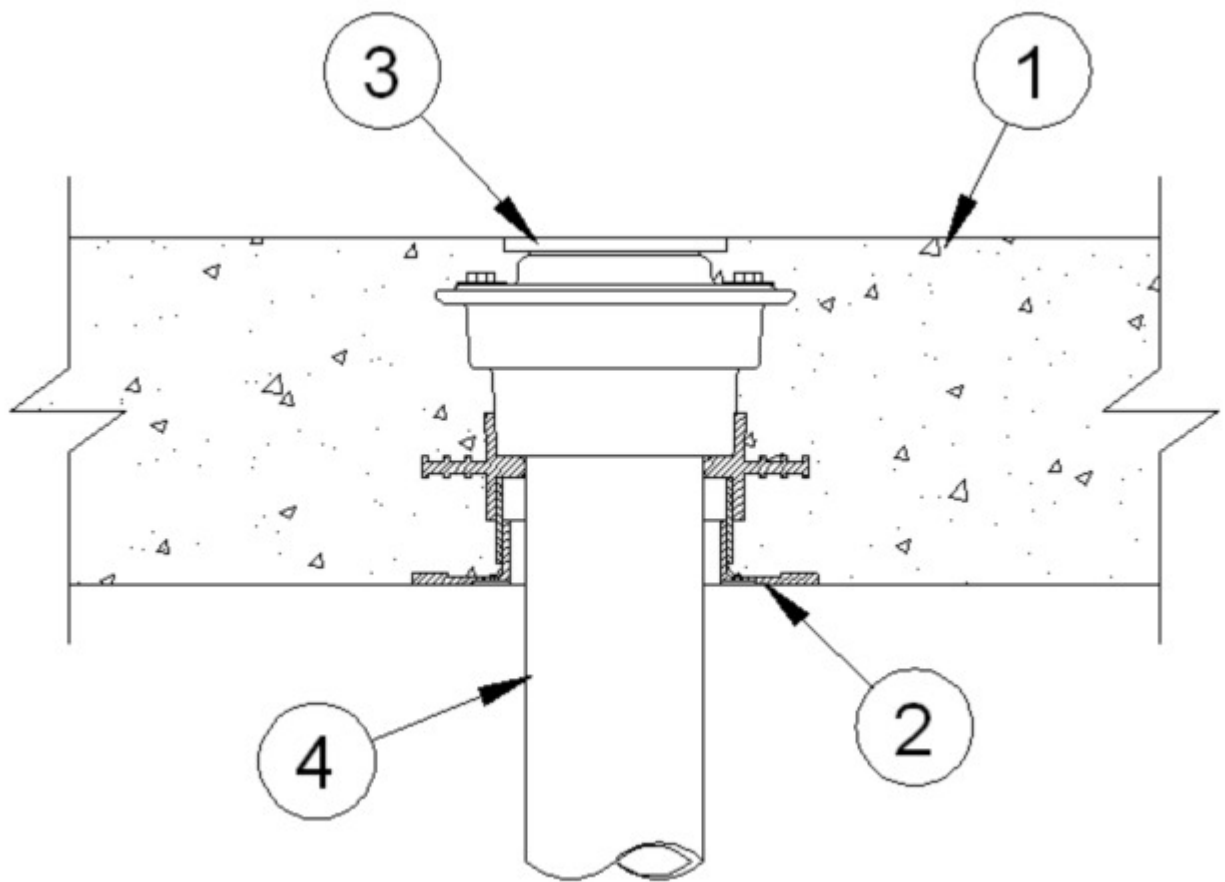
### System No. F-A-1111

August 10, 2017

ANSI/UL1479 (ASTM E814)	CAN/ULC S115	
F Rating — 2 Hr	F Rating — 2 Hr	
T Rating — 0 Hr	FT Rating — 0 Hr	
	FH Rating — 2 Hr	
	FTH Rating — 0 Hr	



Configuration A



## Configuration B

**System tested with a pressure differential of 2.5 Pa between the exposed and the unexposed surfaces with the higher pressure on the exposed side.**

**1. Floor Assembly** — Min 4-1/2 in. (114 mm) thick lightweight or normal weight (100-150 pcf or 1600-2400 kg/m<sup>3</sup>) concrete floor assembly measured above the base of the device.

**1A. Floor Assembly** — (Configuration A, Optional, Not Shown) — The fire rated unprotected concrete and steel floor assembly shall be constructed of the materials and in the manner specified in the individual D900 Series designs in the UL Fire Resistance Directory and as summarized below:

**A. Concrete** — Min 4-1/2 in. (114 mm) thick reinforced lightweight or normal weight 100-150 pcf (1600-2400 kg/m<sup>3</sup>) concrete measured above the base of the device.

**B. Steel Floor and Form Units\*** — Composite or non-composite max 3 in. (76 mm) deep galv steel fluted units as specified in the individual Floor-Ceiling Design.

## Configuration A

**2. Firestop Device\* — Shower/Floor Drain** — Cast in place firestop device with cast iron drain body (Item 3) attached to form and permanently embedded during concrete placement or grouted in concrete assembly in accordance with accompanying installation instructions. For HFP devices the optional accessories (not shown) includes a sleeve extension, aerator adapter deck adapter, midbody seal and/or water module installed in accordance with installation instructions. Devices are sized to accommodate the following nom pipe sizes:

Nom Pipe Diam in. (mm)	Firestop Devices for Concrete Slab	Firestop Devices for Fluted Deck (Not Shown)
1-1/2 to 2 (38 to 51)	HFP-2CI-DRN	add HFPCD2
2 to 3 (51 to 76)	HFP-23CI-DRN	add HFPCD3
3 to 4 (76 to 102)	HFP-34CI-DRN	add HFPCD4
5 to 6 (127 to 152)	HFP-6CI-DRN	add HFPCD6

**HOLDRITE** — HFP-xCI-DRN

**3. Floor Drain** — Cast iron drain body secured in or on top of firestop device in accordance with accompanying installation instructions.

4. **Drain Piping** — Max nominal 6 in. (152 mm) diam cast iron drain piping using a no-hub band coupling with stainless steel band clamps and a stainless steel jacket, threaded or push type gasket into cast iron drain body. Drain piping rigidly supported at underside of floor with suitable hangers.

### **Configuration B**

2. **Firestop Device\* — Shower/Floor Drain** — Cast in place firestop device with cast iron drain body (Item 3) attached to form and permanently embedded during concrete placement in accordance with accompanying installation instructions.

Devices are sized to accommodate the following nom pipe sizes:

**HOLDRITE** — Type HM-CIDK

3. **Floor Drain** — Cast iron drain body secured in top socket of firestop device using stainless steel band clamp provided with firestop device in accordance with manufactures instructions.

4. **Drain Piping** — Nom 2, 3, 4, 5 or 6 in. (51, 76, 102, 127 or 152 mm) diam cast iron drain piping using a no-hub band coupling with stainless steel band clamps and a stainless steel jacket, threaded or push type gasket into cast iron drain body. Drain piping rigidly supported at underside of floor with suitable hangers.

**\* Indicates such products shall bear the UL or cUL Certification Mark for jurisdictions employing the UL or cUL Certification (such as Canada), respectively.**

Last Updated on 2017-08-10

---

### **Design/System/Construction/Assembly Usage Disclaimer**

- Authorities Having Jurisdiction should be consulted in all cases as to the particular requirements covering the installation and use of UL Certified products, equipment, system, devices, and materials.
- Authorities Having Jurisdiction should be consulted before construction.
- Fire resistance assemblies and products are developed by the design submitter and have been investigated by UL for compliance with applicable requirements. The published information cannot always address every construction nuance encountered in the field.
- When field issues arise, it is recommended the first contact for assistance be the technical service staff provided by the product manufacturer noted for the design. Users of fire resistance assemblies are advised to consult the general Guide Information for each product category and each group of assemblies. The Guide Information includes specifics concerning alternate materials and alternate methods of construction.
- Only products which bear UL's Mark are considered Certified.

---

The appearance of a company's name or product in this database does not in itself assure that products so identified have been manufactured under UL's Follow-Up Service. Only those products bearing the UL Mark should be considered to be Certified and covered under UL's Follow-Up Service. Always look for the Mark on the product.

UL permits the reproduction of the material contained in the Online Certification Directory subject to the following conditions: 1. The Guide Information, Assemblies, Constructions, Designs, Systems, and/or Certifications (files) must be presented in their entirety and in a non-misleading manner, without any manipulation of the data (or drawings). 2. The statement "Reprinted from the Online Certifications Directory with permission from UL" must appear adjacent to the extracted material. In addition, the reprinted material must include a copyright notice in the following format: "© 2019 UL LLC".

UL and the UL logo are trademarks of UL LLC © 2019 All Rights Reserved.