

THROUGH-PENETRATION FIRESTOP SYSTEM

Assembly Usage Disclaimer

Search Parameters

Manufacturer

Holdrite

XHEZ - Through-penetration Firestop Systems

XHEZ7 - Through-penetration Firestop Systems Certified for Canada

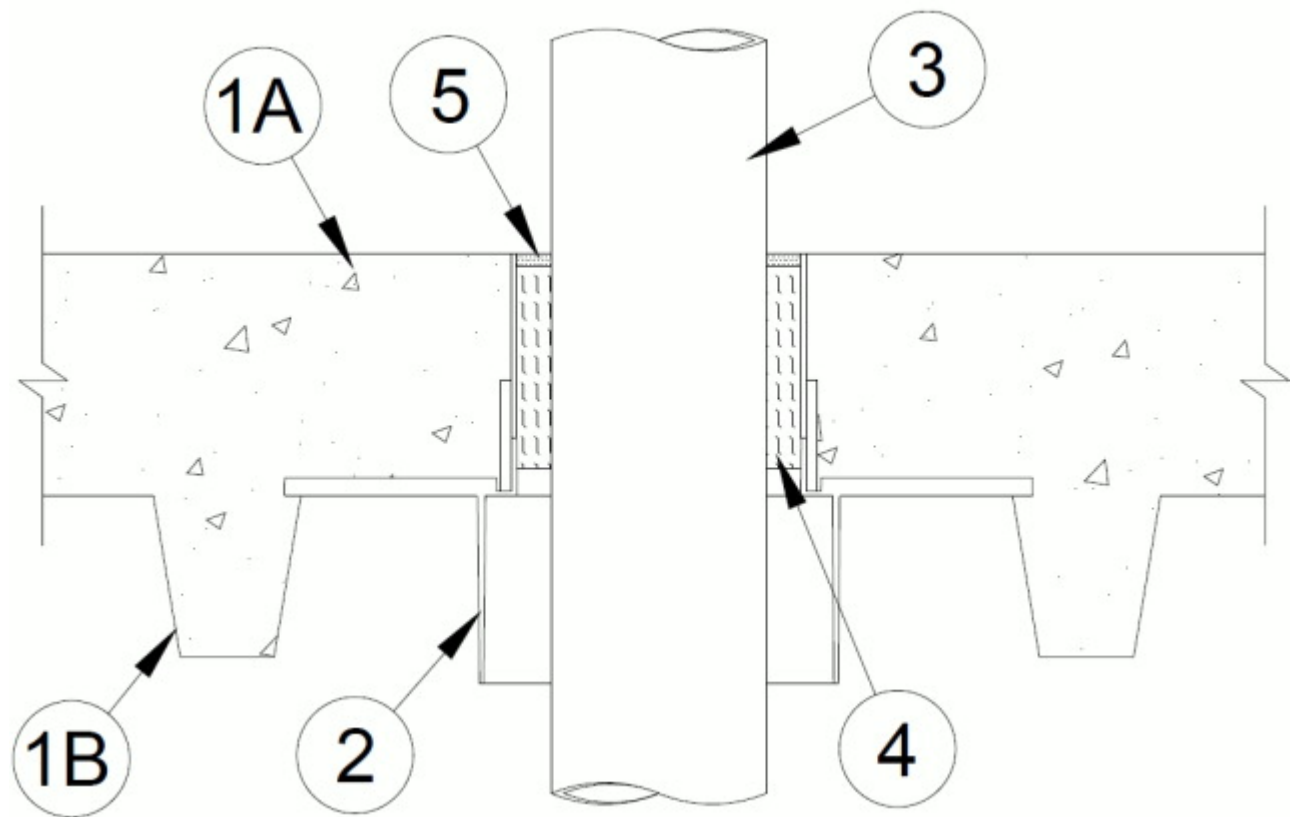
[See General Information for Through-penetration Firestop Systems](#)

[See General Information for Through-penetration Firestop Systems Certified for Canada](#)

System No. F-A-1155

March 03, 2017

ANSI/UL1479 (ASTM E814)	CAN/ULC S115
F Rating — 2 Hr	F Rating — 2 Hr
T Rating — 0 Hr	FT Rating — 0 Hr
L Rating At Ambient — Less Than 1 CFM/sq ft	FH Rating — 2 Hr
L Rating At 400 F — 2 CFM/sq ft	FTH Rating — 0 Hr
W Rating — Class 1	L Rating At Ambient — Less Than 5.1 L/s/m ³
	L Rating At 400 F — 10.2 L/s/m ³



1. Floor Assembly — The fire-rated concrete and fluted steel deck floor assembly shall be constructed of the materials and in the manner specified in the individual D900 Series designs in the UL Fire Resistance Directory and as summarized below:

A. **Concrete** — Min 4-1/2 in. (114 mm) thick reinforced lightweight or normal weight (100-150 pcf or 1600-2400 kg/m³) concrete topping, as measured over crests of fluted floor units.

B. **Steel Floor and Form Units*** — Composite or non-composite nom 3 in. (76 mm) deep fluted galv units as specified in the individual Floor-Ceiling design. Diam of opening cut through fluted floor unit to be maximum 1/4 in. (6 mm) larger than outside diameter of bottom extension portion of firestop device base.

2. Firestop Device* — Max 8 in. (203 mm) diam cast in place firestop device permanently embedded during concrete placement in accordance with accompanying installation instructions. The device shall be inserted through circular cutout in fluted floor unit and secured to crests of steel floor unit with steel screws. Top sleeve extension of device to be installed flush with top surface of floor.

HOLDRITE — HydroFlame CD Sleeve

3. Through-Penetrant — One metallic pipe, conduit or tubing installed concentrically within the firestop system. The annular space shall be min 1/2 in. (13 mm) to max 2-3/8 in. (60 mm). Pipe, conduit or tubing to be rigidly supported on both sides of floor assembly. The following types of pipe, conduit or tubing may be used:

A. **Steel Pipe** — Nom 4 in. (102 mm) diam (or smaller) Schedule 10 (or heavier) steel pipe.

B. **Conduit** — Nom 4 in. (102 mm) diam (or smaller) steel electrical metallic tubing (EMT) or steel conduit.

C. **Copper Tubing** — Nom 4 in. (102 mm) diam (or smaller) Type M (or heavier) copper tubing.

D. **Iron Pipe** — Nom 6 in. (152 mm) diam (or smaller) cast or ductile iron pipe.

4. **Packing Material** — Min 3-3/4 in. (95 mm) thickness of min 4 pcf (64 kg/m³) mineral wool batt insulation firmly packed into opening as a permanent form so that the width of the wool is compressed at least 50 percent. Packing material to be recessed from top surface of floor as required to accommodate the required thickness of fill material.

5. **Fill, Void or Cavity Material* — Sealant** — Min 1/4 in. (6 mm) thickness of sealant applied within the annulus, flush with the top surface of floor. Sealant must lap onto top surface of concrete floor around entire perimeter of firestop device to attain W Rating.

TREMCO INC — Fyre-Sil Sealant or Fyre-Sil S.L. Sealant

6. **Pipe Tee Fitting System** — (Optional, Not Shown) — For use with Iron Pipe (Item 3D) only. One nom 6 in. (152 mm) diam (or smaller) PVC TESTRITE TEE Fitting (matched to penetrant diameter). The PVC TESTRITE TEE Fitting is secured to metallic penetrant (Item 3D) with compression type pipe coupling elastomeric gasket with stainless steel jacket and stainless steel band clamps for use in vented (drain, waste or vent) iron pipe systems. Installed (Item 3D) penetrant shall extend a minimum of 6 in. (152 mm) above the surface of the floor and minimum 12 in. (302 mm) below the bottom surface of the floor above assembly.

*** Indicates such products shall bear the UL or cUL Certification Mark for jurisdictions employing the UL or cUL Certification (such as Canada), respectively.**

Last Updated on 2017-03-03

Design/System/Construction/Assembly Usage Disclaimer

- Authorities Having Jurisdiction should be consulted in all cases as to the particular requirements covering the installation and use of UL Certified products, equipment, system, devices, and materials.
- Authorities Having Jurisdiction should be consulted before construction.
- Fire resistance assemblies and products are developed by the design submitter and have been investigated by UL for compliance with applicable requirements. The published information cannot always address every construction nuance encountered in the field.

- When field issues arise, it is recommended the first contact for assistance be the technical service staff provided by the product manufacturer noted for the design. Users of fire resistance assemblies are advised to consult the general Guide Information for each product category and each group of assemblies. The Guide Information includes specifics concerning alternate materials and alternate methods of construction.
- Only products which bear UL's Mark are considered Certified.

The appearance of a company's name or product in this database does not in itself assure that products so identified have been manufactured under UL's Follow-Up Service. Only those products bearing the UL Mark should be considered to be Certified and covered under UL's Follow-Up Service. Always look for the Mark on the product.

UL permits the reproduction of the material contained in the Online Certification Directory subject to the following conditions: 1. The Guide Information, Assemblies, Constructions, Designs, Systems, and/or Certifications (files) must be presented in their entirety and in a non-misleading manner, without any manipulation of the data (or drawings). 2. The statement "Reprinted from the Online Certifications Directory with permission from UL" must appear adjacent to the extracted material. In addition, the reprinted material must include a copyright notice in the following format: "© 2019 UL LLC".

UL and the UL logo are trademarks of UL LLC © 2019 All Rights Reserved.