

# THROUGH-PENETRATION FIRESTOP SYSTEM

[Assembly Usage Disclaimer](#)

## Search Parameters

Manufacturer

Holdrite

## XHEZ - Through-penetration Firestop Systems

[See General Information for Through-penetration Firestop Systems](#)

### System No. F-A-2176

August 19, 2009

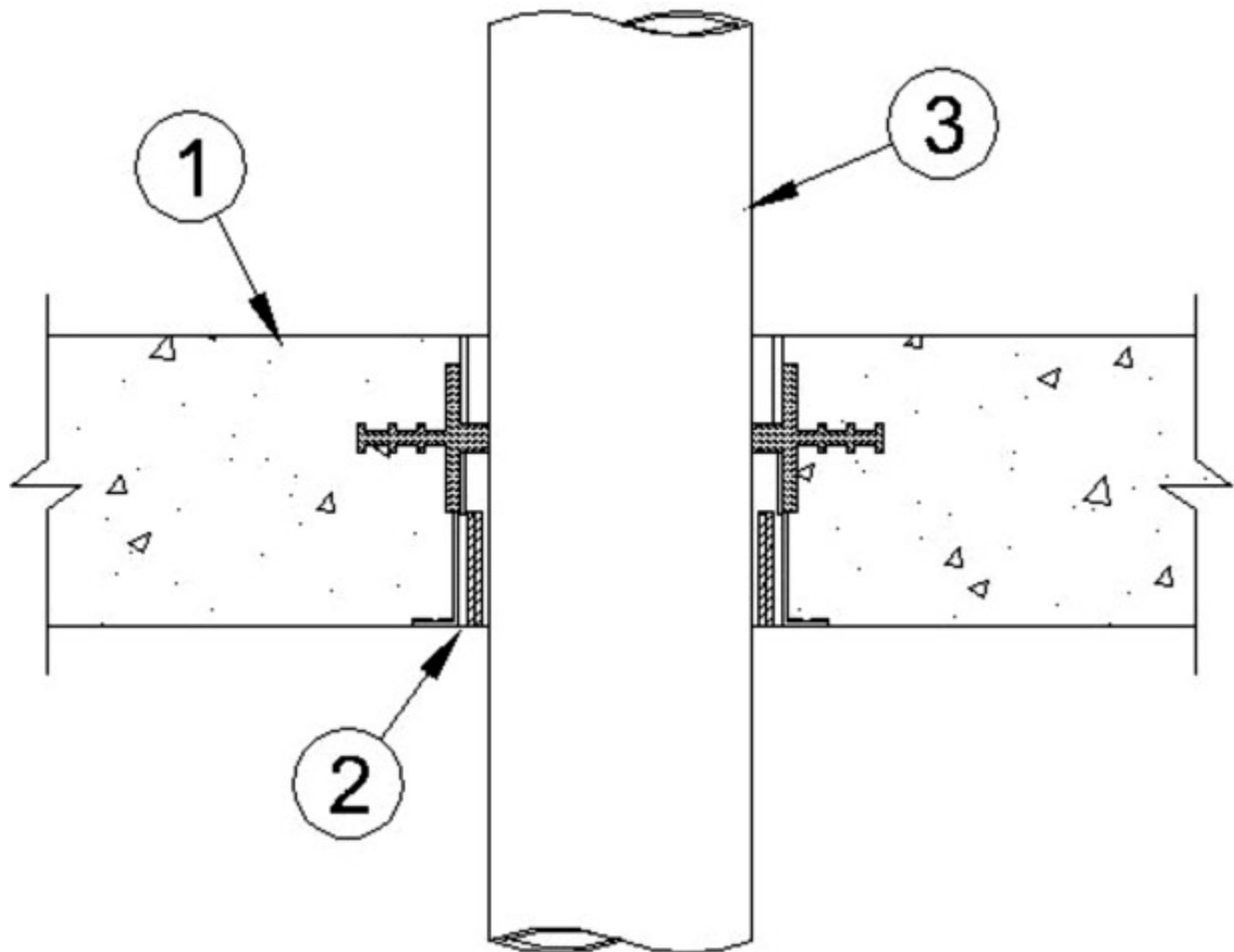
**F Rating — 3 Hr**

**T Ratings — 0 and 3 Hr (See Item 3)**

**L Rating At Ambient — Less Than 1 CFM/sq ft**

**L Rating At 400°F — Less Than 1 CFM/sq ft**

**W Rating — Class 1**



1. **Floor Assembly** — Min 4-1/2 in. (114 mm) thick reinforced lightweight or normal weight (100-150 pcf or 1600-2400 kg/m<sup>3</sup>) concrete.

2. **Firestop Device\*** — Cast in place firestop device permanently embedded during concrete placement in accordance with accompanying installation instructions. The device shall be installed flush with top and bottom surfaces of floor.

**HOLDRITE** — HydroFlame PS-CP, PS-NP

3. **Through Penetrant** — One nonmetallic pipe or conduit to be installed within the firestop device. Pipe or conduit to be installed in accordance with firestop device installation instructions and rigidly supported on both sides of floor assembly. The following types of pipe, conduit or tubing may be used:

A. **Polyvinyl Chloride (PVC) Pipe** — Nom 6 in. (152 mm) diam (or smaller) Schedule 40 solid or cellular core PVC pipe for use in closed (process or supply) or vented (drain, waste or vent) piping systems.

B. **Rigid Nonmetallic Conduit+** — Nom 6 in. (152 mm) diam (or smaller) Schedule 40 PVC conduit installed in accordance with the National Electrical Code (NFPA No. 70).

C. **Chlorinated Polyvinyl Chloride (CPVC) Pipe** — Nom 6 in. (152 mm) diam (or smaller) SDR 13.5 (or heavier) or Schedule 40

CPVC pipe for use in closed (process or supply) piping systems.

**D. Acrylonitrile Butadiene Styrene (ABS) Pipe** — Nom 4 in. (102 mm) diam (or smaller) Schedule 40 solid or cellular core ABS pipe for use in closed (process or supply) or vented (drain, waste or vent) piping systems.

**E. Cross-Linked Polyethylene (PEX) Tubing** — Nom 2 in. (51 mm) diam (or smaller) SDR 9 PEX tubing for use in closed (process or supply) piping systems.

**When Item 3D is used, T rating is 0 Hr. Otherwise, T Rating is 3 hr.**

**\* Indicates such products shall bear the UL or cUL Certification Mark for jurisdictions employing the UL or cUL Certification (such as Canada), respectively.**

+Bearing the UL Listing Mark

Last Updated on 2009-08-19

---

### **Design/System/Construction/Assembly Usage Disclaimer**

- Authorities Having Jurisdiction should be consulted in all cases as to the particular requirements covering the installation and use of UL Certified products, equipment, system, devices, and materials.
- Authorities Having Jurisdiction should be consulted before construction.
- Fire resistance assemblies and products are developed by the design submitter and have been investigated by UL for compliance with applicable requirements. The published information cannot always address every construction nuance encountered in the field.
- When field issues arise, it is recommended the first contact for assistance be the technical service staff provided by the product manufacturer noted for the design. Users of fire resistance assemblies are advised to consult the general Guide Information for each product category and each group of assemblies. The Guide Information includes specifics concerning alternate materials and alternate methods of construction.
- Only products which bear UL's Mark are considered Certified.

---

The appearance of a company's name or product in this database does not in itself assure that products so identified have been manufactured under UL's Follow-Up Service. Only those products bearing the UL Mark should be considered to be Certified and covered under UL's Follow-Up Service. Always look for the Mark on the product.

UL permits the reproduction of the material contained in the Online Certification Directory subject to the following conditions: 1. The Guide Information, Assemblies, Constructions, Designs, Systems, and/or Certifications (files) must be presented in their entirety and in a non-misleading manner, without any manipulation of the data (or drawings). 2. The statement "Reprinted from the Online Certifications Directory with permission from UL" must appear adjacent to the extracted material. In addition, the reprinted material must include a copyright notice in the following format: "© 2019 UL LLC".

UL and the UL logo are trademarks of UL LLC © 2019 All Rights Reserved.