

THROUGH-PENETRATION FIRESTOP SYSTEM

Assembly Usage Disclaimer

Search Parameters

Manufacturer

Holdrite

XHEZ - Through-penetration Firestop Systems

XHEZ7 - Through-penetration Firestop Systems Certified for Canada

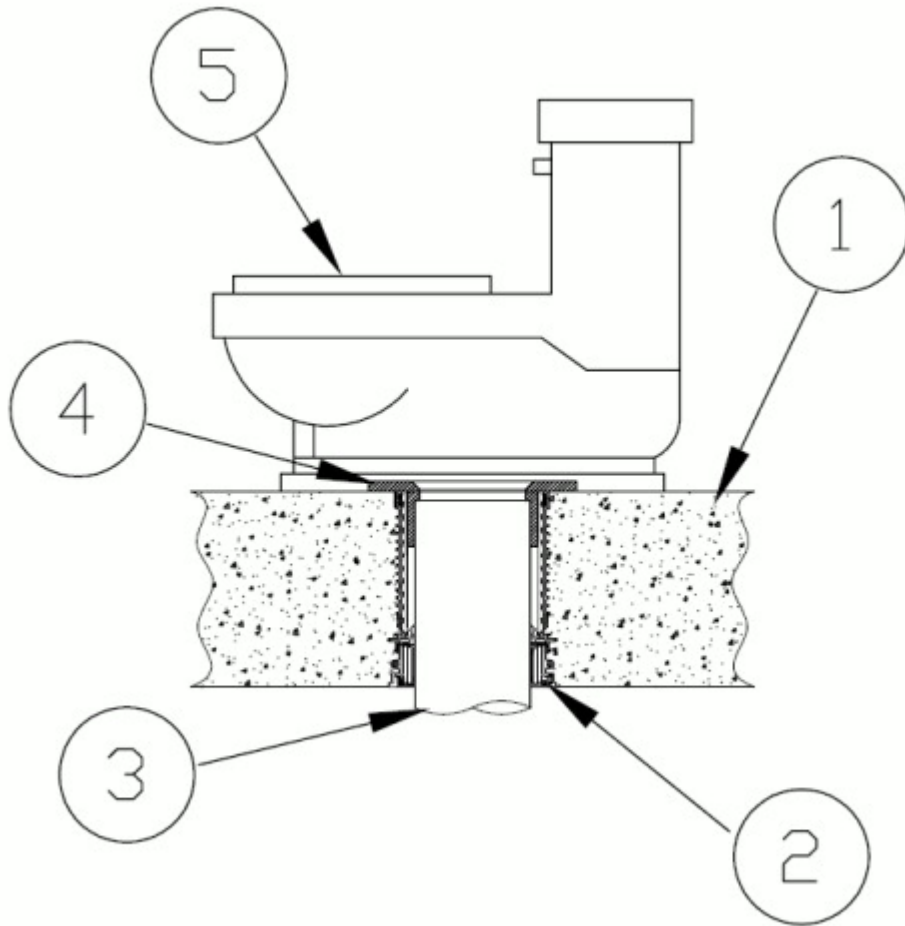
[See General Information for Through-penetration Firestop Systems](#)

[See General Information for Through-penetration Firestop Systems Certified for Canada](#)

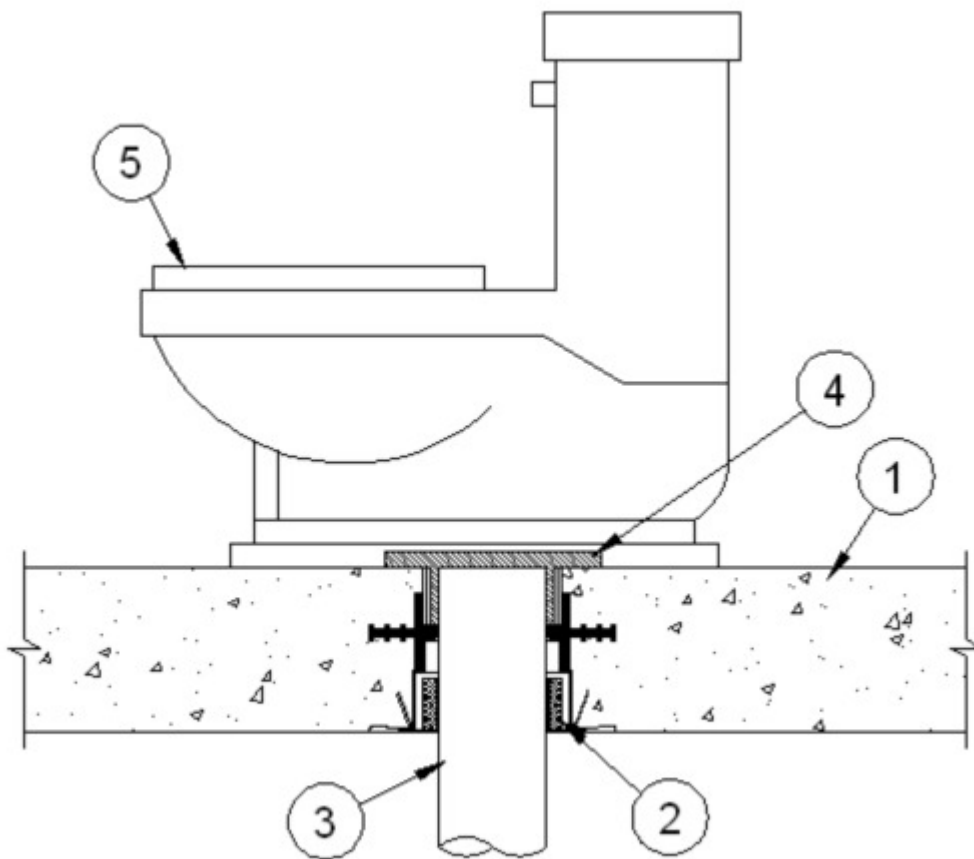
System No. F-A-2189

October 31, 2018

ANSI/UL1479 (ASTM E814)	CAN/ULC S115
F Rating — 3 Hr	F Rating — 3 Hr
T Rating — 3 Hr	FT Rating — 3 Hr
L Rating At Ambient — Less Than 1 CFM/sq ft	FH Rating — 3 Hr
L Rating At 400 F — Less Than 1 CFM/sq ft	FTH Rating — 3 Hr
W Rating — Class 1	L Rating At Ambient — Less Than 5.1 L/s/m ²
	L Rating At 400 F — Less Than 5.1 L/s/m ²



Configuration A



Configuration B

System tested with a pressure differential of 2.5 Pa between the exposed and the unexposed surfaces with the higher pressure on the exposed side.

Config B only. System tested with a pressure differential of 50 Pa between the exposed and the unexposed surfaces with the higher pressure on the exposed side for up to 3 hours.

1. Floor Assembly — Min 4-1/2 in. (114 mm) thick reinforced lightweight or normal weight (100-150 pcf or 1600-2400 kg/m³) concrete floor when measured above base of device excluding any adapters.

1A. Floor Assembly — (Not Shown) — The fire-rated concrete and fluted steel deck floor assembly shall be constructed of the materials and in the manner specified in the individual D900 Series designs in the UL Fire Resistance Directory and as summarized below:

A. Concrete — Min 2-1/2 in. (64 mm) thick reinforced lightweight or normal weight (100-150 pcf or 1600-2400 kg/m³) concrete topping, as measured over crests of fluted floor units and above base of device excluding any adapters.

B. Steel Floor and Form Units* — Composite or noncomposite max 3 in. (76 mm) deep fluted galv units as specified in the individual Floor-Ceiling design. Diam of opening cut through fluted floor unit to be maximum 1/4 in. (6 mm) larger than outside diameter of bottom extension portion of firestop device base.

2. Firestop Device* — Cast-in-place firestop device permanently embedded during concrete placement or grouted in concrete assembly in accordance with accompanying installation instructions. For Conf A HFP devices and optional accessories (not shown) includes sleeve extension, water module, deck adapter and/or aerator adapter installed in accordance with installation instructions. For Conf B devices, optional accessory (not shown) includes aerator adapter installed in accordance with the installation instructions. The device shall be installed flush with top and bottom surfaces of floor.

Nom Pipe Diam in. (mm)	Conf A Firestop Devices for Concrete Slab	Conf A Firestop Devices for Fluted Deck (Not Shown)	Conf B Firestop Devices for Concrete Slab	Conf B Firestop Devices for Fluted Deck (Not Shown)
3 (76)	HFP-CF3PL, HFP-CF3PLB, HFP-P3, HFP-P3B	add HFPCD3	PS-NPCF-0300, PS-NPCF40-0300, OPS-PL-0300, OPS-PL40-0300	CD-CPCF-0300, CD-NPCF40-0300, CD-OPS-PL-0300, CD-OPS-PL40-0300
3 to 4 (76 to 102)	HFP-CF4PL, HFP-	add HFPCD4	PS-NPCF-0400, OPS-PL-0400	CD-NPCF-0400, CD-OPS-PL-0400

	CF4PLB, HFP-P4, HFP-P4B		
--	-------------------------------	--	--

HOLDRITE — (Configuration A) HydroFlame HFP-CF3PL, HFP-CF3PLB, HFP-CF4PL, HFP-CF4PLB HFP-P3, HFP-P3B, HFP-P4, HFP-P4B or (Configuration B) HydroFlame PS-CF, PS-NPCF-0300, PS-NPCF40-0300, PS-NPCF-0400, CD-NPCF-0300, CD-NPCF40-0300, OPS-PL-0300, OPS-PL40-0300, OPS-PL-0400, CD-OPS-PL-0300, CD-OPS-PL40-0300, CD-OPS-PL-0400

3. Nonmetallic Pipe — One nonmetallic pipe to be installed within the firestop device. Pipe to be installed approximately flush with top surface of floor in accordance with firestop device installation instructions and to be rigidly supported on underside of floor assembly. The following types of pipe may be used:

A. **Polyvinyl Chloride (PVC) Pipe** — Nom 3 in. (76 mm) or 4 in. (102 mm) diam Schedule 40 solid or cellular core PVC pipe.

B. **Acrylonitrile Butadiene Styrene (ABS) Pipe** — Nom 3 in. (76 mm) or 4 in. (102 mm) diam Schedule 40 solid or cellular core ABS pipe.

4. Toilet Flange — PVC or ABS toilet flange with nominal 7 in. (178 mm) diam top ring and with nominal 4 in. (102 mm) OD throat sized to fit both 3 in. (76 mm) and 4 in. (102 mm) diam drain piping. Toilet flange cemented to top of nonmetallic pipe (Item 3) and secured to top surface of floor with appropriate concrete anchors.

5. Water Closet — Floor mounted vitreous china water closet. Install in accordance to installation instructions.

*** Indicates such products shall bear the UL or cUL Certification Mark for jurisdictions employing the UL or cUL Certification (such as Canada), respectively.**

Last Updated on 2018-10-31

Design/System/Construction/Assembly Usage Disclaimer

- Authorities Having Jurisdiction should be consulted in all cases as to the particular requirements covering the installation and use of UL Certified products, equipment, system, devices, and materials.
- Authorities Having Jurisdiction should be consulted before construction.
- Fire resistance assemblies and products are developed by the design submitter and have been investigated by UL for compliance with applicable requirements. The published information cannot always address every construction nuance encountered in the field.
- When field issues arise, it is recommended the first contact for assistance be the technical service staff provided by the product manufacturer noted for the design. Users of fire resistance assemblies are advised to consult the general Guide Information for each product category and

each group of assemblies. The Guide Information includes specifics concerning alternate materials and alternate methods of construction.

- Only products which bear UL's Mark are considered Certified.

The appearance of a company's name or product in this database does not in itself assure that products so identified have been manufactured under UL's Follow-Up Service. Only those products bearing the UL Mark should be considered to be Certified and covered under UL's Follow-Up Service. Always look for the Mark on the product.

UL permits the reproduction of the material contained in the Online Certification Directory subject to the following conditions: 1. The Guide Information, Assemblies, Constructions, Designs, Systems, and/or Certifications (files) must be presented in their entirety and in a non-misleading manner, without any manipulation of the data (or drawings). 2. The statement "Reprinted from the Online Certifications Directory with permission from UL" must appear adjacent to the extracted material. In addition, the reprinted material must include a copyright notice in the following format: "© 2019 UL LLC".

UL and the UL logo are trademarks of UL LLC © 2019 All Rights Reserved.