

# THROUGH-PENETRATION FIRESTOP SYSTEM

Assembly Usage Disclaimer

## Search Parameters

Manufacturer

Holdrite

## XHEZ - Through-penetration Firestop Systems

### XHEZ7 - Through-penetration Firestop Systems Certified for Canada

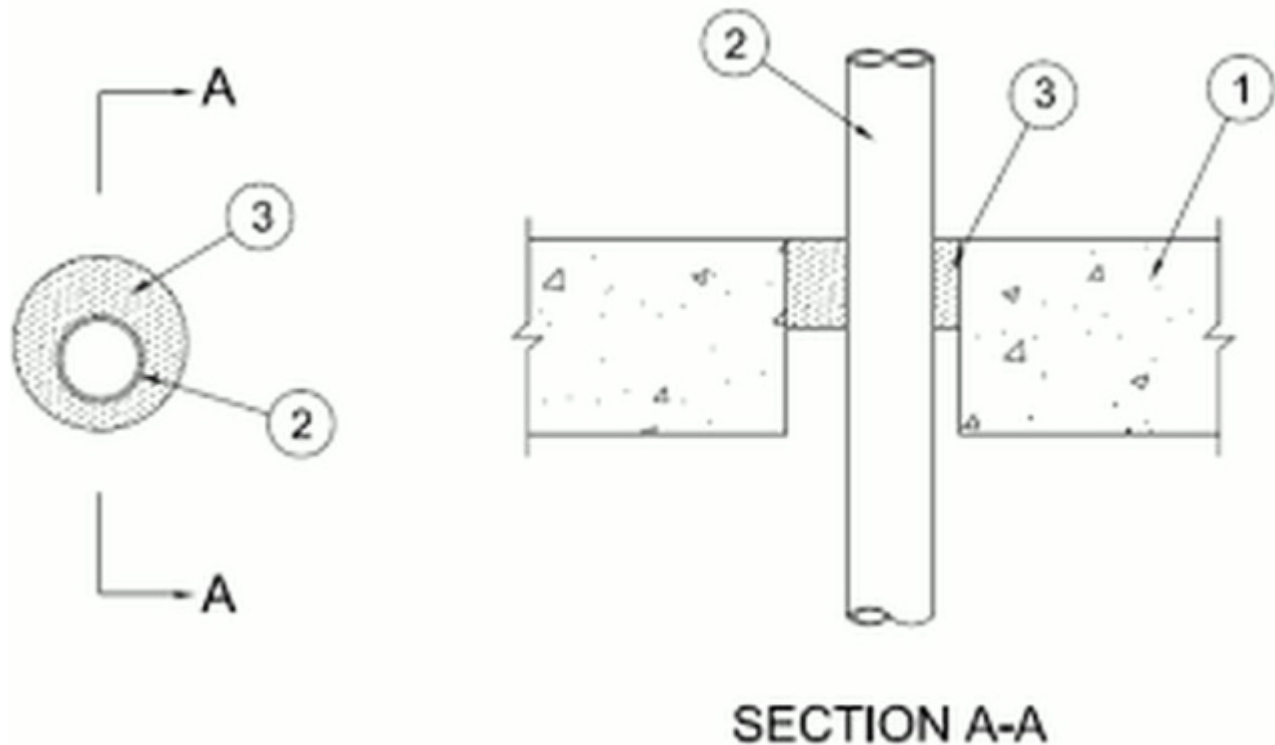
See General Information for Through-penetration Firestop Systems

See General Information for Through-penetration Firestop Systems Certified for Canada

### System No. F-A-2304

February 05, 2019

ANSI/UL1479 (ASTM E814)	CAN/ULC S115	
F Ratings —2 Hr	F Ratings —2 Hr	
T Rating — 0 Hr	FT Rating — 0 Hr	
	FH Ratings —2 Hr	
	FTH Rating — 0 Hr	



**System tested with a pressure differential of 50 Pa between the exposed and the unexposed surfaces with the higher pressure on the exposed side.**

**1. Floor Assembly** — Min 4-1/2 in. (114 mm) thick reinforced lightweight or normal weight (100-150 pcf or 1600-2400 kg/m<sup>3</sup>) concrete. Diam of opening shall be 2 in. (51 mm) larger than the nom diam of penetrant.

**2. Nonmetallic Pipes** — Nom 2 in. (51 mm) diam (or smaller) nonmetallic pipe for use in closed (process or supply) or vented (drain, waste or vent) piping systems. Pipe to be installed concentrically or eccentrically within the firestop system. The annular space between the pipe and periphery of opening shall be min 1/2 in. (13 mm) to max 1 in. Pipe to be rigidly supported on both sides of floor or wall assembly. The following types and sizes of nonmetallic pipe may be used:

**A. Polypropylene (PP) Pipe** — Nom 2 in. (51 mm) diam (or smaller) SDR 7.4 PP pipe.

**AQUATHERM** — Fusiolen

**B. Polypropylene (PP) Pipe** — Nom 2 in. (51 mm) diam (or smaller) SDR 11 PP pipe.

**AQUATHERM** — Fusiolen

**3. Fill, Void or Cavity Material\* — Sealant** — Min 2 in. (51 mm) thickness of sealant applied within the annulus, flush with top surface of floor or both surfaces of wall.

**RELIANCE WORLDWIDE CORPORATION DBA HOLDRITE HYDROFLAME** — HydroFlame 200

**\* Indicates such products shall bear the UL or cUL Certification Mark for jurisdictions employing the UL or cUL Certification (such as Canada), respectively.**

Last Updated on 2019-02-05

---

## **Design/System/Construction/Assembly Usage Disclaimer**

- Authorities Having Jurisdiction should be consulted in all cases as to the particular requirements covering the installation and use of UL Certified products, equipment, system, devices, and materials.
- Authorities Having Jurisdiction should be consulted before construction.
- Fire resistance assemblies and products are developed by the design submitter and have been investigated by UL for compliance with applicable requirements. The published information cannot always address every construction nuance encountered in the field.
- When field issues arise, it is recommended the first contact for assistance be the technical service staff provided by the product manufacturer noted for the design. Users of fire resistance assemblies are advised to consult the general Guide Information for each product category and each group of assemblies. The Guide Information includes specifics concerning alternate materials and alternate methods of construction.
- Only products which bear UL's Mark are considered Certified.

---

The appearance of a company's name or product in this database does not in itself assure that products so identified have been manufactured under UL's Follow-Up Service. Only those products bearing the UL Mark should be considered to be Certified and covered under UL's Follow-Up Service. Always look for the Mark on the product.

UL permits the reproduction of the material contained in the Online Certification Directory subject to the following conditions: 1. The Guide Information, Assemblies, Constructions, Designs, Systems, and/or Certifications (files) must be presented in their entirety and in a non-misleading manner, without any manipulation of the data (or drawings). 2. The statement "Reprinted from the Online Certifications Directory with permission from UL" must appear adjacent to the extracted material. In addition, the reprinted material must include a copyright notice in the following format: "© 2019 UL LLC".

UL and the UL logo are trademarks of UL LLC © 2019 All Rights Reserved.