

THROUGH-PENETRATION FIRESTOP SYSTEM

Assembly Usage Disclaimer

Search Parameters

Manufacturer

Holdrite

XHEZ - Through-penetration Firestop Systems

XHEZ7 - Through-penetration Firestop Systems Certified for Canada

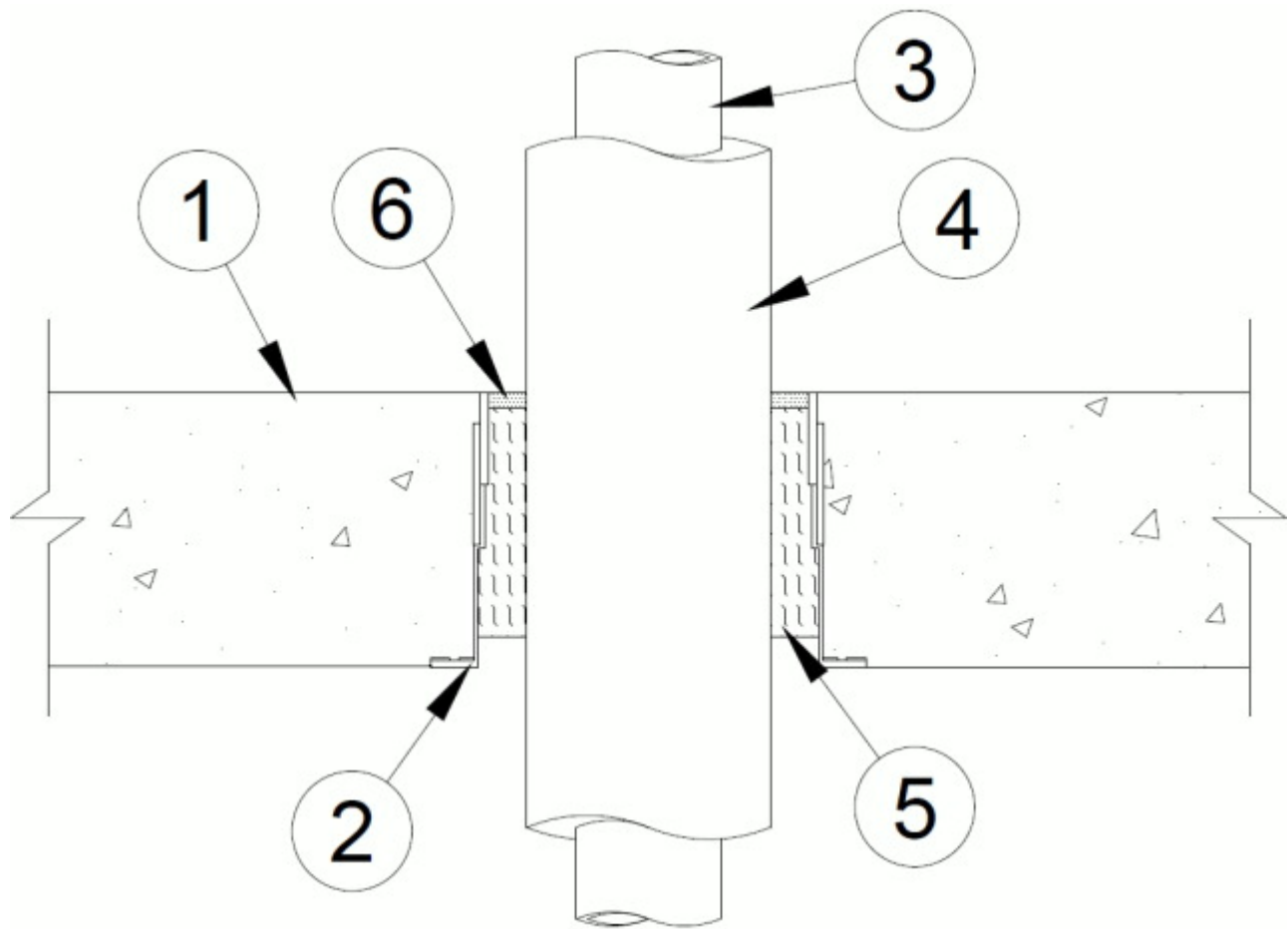
See General Information for Through-penetration Firestop Systems

See General Information for Through-penetration Firestop Systems Certified for Canada

System No. F-A-5053

March 03, 2017

ANSI/UL1479 (ASTM E814)	CAN/ULC S115	
F Rating — 2 Hr	F Rating — 2 Hr	
T Rating — 1-1/2 Hr	FT Rating — 1-1/2 Hr	
	FH Rating — 2 Hr	
	FTH Rating — 1-1/2 Hr	



1. **Floor Assembly** — Min 4-1/2 in. (114 mm) thick reinforced lightweight or normal weight (100-150 pcf or 1600-2400 kg/m³) concrete.

2. **Firestop Device* — Sleeve** — Max 8 in. (203 mm) diam cast in place firestop device permanently embedded during concrete placement in accordance with accompanying installation instructions. The device shall be installed flush with top and bottom surfaces of floor.

HOLDRITE — HydroFlame WD Sleeve

When HydroFlame WD 0600 Sleeve is used, the nominal 1 by 0.3 in. (25 by 7.6 mm) void created by the stepped base within the sleeve shall be tightly-packed with mineral wool batt insulation (Item 4) during firestop installation if concrete floor assembly is less than 7 in. (178 mm) thick.

3. **Through-Penetrant** — One metallic pipe or tubing to be centered within the firestop system. Pipe or tubing to be rigidly supported on both sides of floor assembly. The following types of pipe or tubing may be used:

A. **Steel Pipe** — Nom 4 in. (102 mm) diam (or smaller) Schedule 10 (or heavier) steel pipe.

B. **Copper Tubing** — Nom 4 in. (102 mm) diam (or smaller) Type M (or heavier) copper tubing.

4. Pipe Covering* — Max 1-1/2 in. (38 mm) thick hollow cylindrical heavy density mineral fiber units with an all service jacket. Longitudinal joints sealed with metal fasteners or factory-applied self-sealing lap tape. Transverse joints secured with metal fasteners or with butt tape supplied with the product. A min annular space of 1/2 in. (13 mm) is required within the firestop system.

See **Pipe and Equipment Covering — Materials (BRGU)** category in the Building Materials Directory for names of manufacturers. Any pipe covering meeting the above specifications and bearing the UL Classification Marking with a Flame Spread Index of 25 or less and a Smoke Developed Index of 50 or less may be used.

5. Packing Material — Min 3-3/4 in. (95 mm) thickness of min 4 pcf (64 kg/m³) mineral wool batt insulation firmly packed into opening as a permanent form so that the width of the wool is compressed at least 50 percent. Packing material to be recessed from top surface of floor as required to accommodate the required thickness of fill material.

6. Fill, Void or Cavity Material* — Sealant — Min 1/4 in. (6 mm) thickness of sealant applied within the annulus, flush with the top surface of floor. When pipe covering (Item 4) thickness is greater than 1 in. (25 mm), the min thickness of sealant applied within the annulus shall be 1/2 in. (13 mm).

TREMCO INC — Fyre-Sil Sealant or Fyre-Sil S.L. Sealant

*** Indicates such products shall bear the UL or cUL Certification Mark for jurisdictions employing the UL or cUL Certification (such as Canada), respectively.**

Last Updated on 2017-03-03

Design/System/Construction/Assembly Usage Disclaimer

- Authorities Having Jurisdiction should be consulted in all cases as to the particular requirements covering the installation and use of UL Certified products, equipment, system, devices, and materials.
 - Authorities Having Jurisdiction should be consulted before construction.
 - Fire resistance assemblies and products are developed by the design submitter and have been investigated by UL for compliance with applicable requirements. The published information cannot always address every construction nuance encountered in the field.
 - When field issues arise, it is recommended the first contact for assistance be the technical service staff provided by the product manufacturer noted for the design. Users of fire resistance assemblies are advised to consult the general Guide Information for each product category and each group of assemblies. The Guide Information includes specifics concerning alternate materials and alternate methods of construction.
 - Only products which bear UL's Mark are considered Certified.
-

The appearance of a company's name or product in this database does not in itself assure that products so identified have been manufactured under UL's Follow-Up Service. Only those products bearing the UL Mark should be considered to be Certified and covered under UL's Follow-Up Service. Always look for the Mark on the product.

UL permits the reproduction of the material contained in the Online Certification Directory subject to the following conditions: 1. The Guide Information, Assemblies, Constructions, Designs, Systems, and/or Certifications (files) must be presented in their entirety and in a non-misleading manner, without any manipulation of the data (or drawings). 2. The statement "Reprinted from the Online Certifications Directory with permission from UL" must appear adjacent to the extracted material. In addition, the reprinted material must include a copyright notice in the following format: "© 2019 UL LLC".

UL and the UL logo are trademarks of UL LLC © 2019 All Rights Reserved.