

THROUGH-PENETRATION FIRESTOP SYSTEM

Assembly Usage Disclaimer

Search Parameters

Manufacturer

Holdrite

XHEZ - Through-penetration Firestop Systems

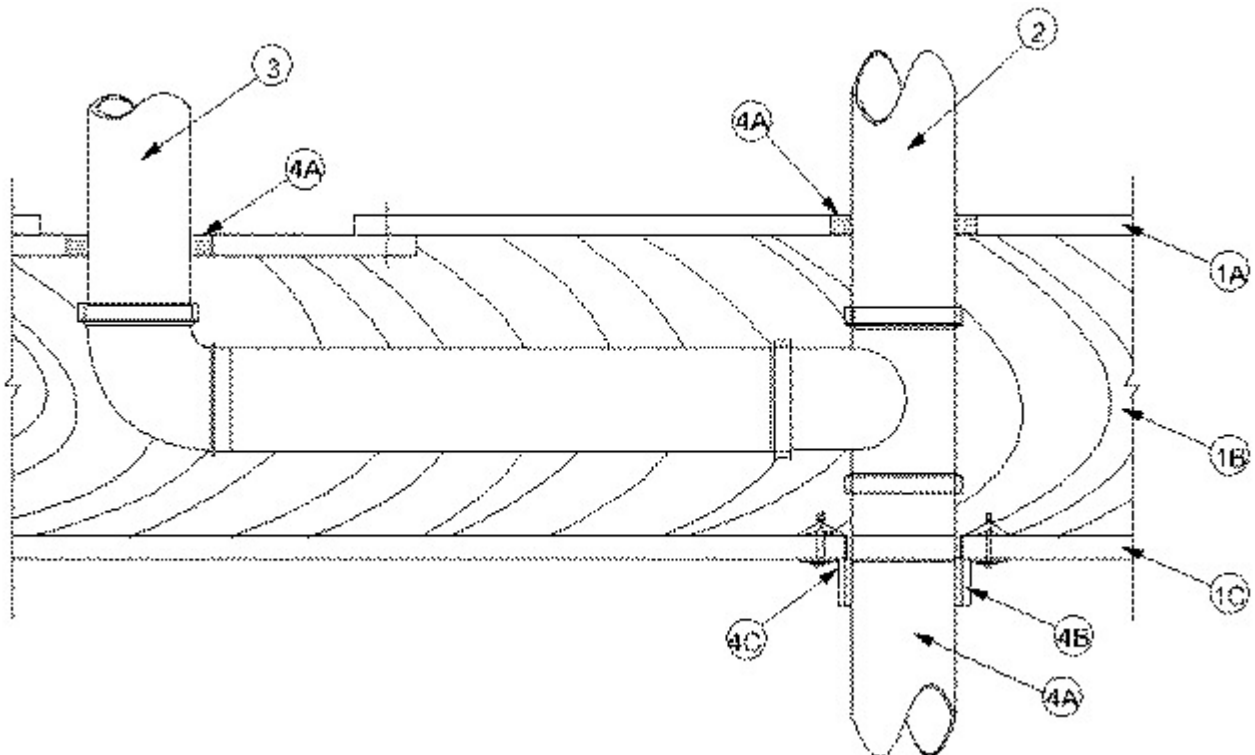
See General Information for Through-penetration Firestop Systems

System No. F-C-2472

January 08, 2019

F Rating — 1 Hr

T Rating — 1 Hr



1. Floor-Ceiling Assembly — The 1 hr fire-rated solid or trussed lumber joist floor-ceiling assembly shall be constructed of the materials and in the manner specified in the individual L500 Series Floor-Ceiling Designs in the UL Fire Resistance Directory. The general construction features of the floor-ceiling assembly are summarized below:

A. **Flooring System** — Lumber or plywood subfloor with finish floor of lumber plywood or **Floor Topping Mixture*** as specified in the individual Floor-Ceiling Design. Rectangular cutout in flooring to be max 8 by 12 in. (203 by 305 mm) Max diam of opening shall be 5 in. (127 mm)

B. **Wood Joists*** — Nom 10 in. (254 mm) deep (or deeper) lumber, steel or combination lumber and steel joists, trusses or **Structural Wood Members*** with bridging as required and with ends firestopped.

C. **Gypsum Board*** — Nom 4 ft (1.2 m) wide by 5/8 in. (16 mm) thick as specified in the individual Floor-Ceiling Design. Gypsum board nailed to wood joists. One or two piece 5/8 in. (16 mm) thick gypsum board or 3/4 in. (19 mm) thick plywood patch, min 4 in. (102 mm) longer and wider than the cutout in the flooring, screw-attached to bottom of flooring concentric with cutout by means of 1-1/4 in. (32 mm) long Type S steel screws spaced max 4 in. (102 mm) OC. Max diam of opening hole-sawed through the gypsum board or plywood patch to be 5 in. (127 mm) Max diam. of opening in gypsum board ceiling to be 5 in. (127 mm)

1.1. Chase Wall — (Optional, not shown) — The through penetrant (Item No. 2) may be routed through a 1 hr fire-rated single, double or staggered wood stud/gypsum wallboard chase wall constructed of the materials and in the manner specified in the individual U300 Series Wall and Partition Designs in the UL Fire Resistance Directory and shall include the following construction features:

A. **Studs** — Nom 2 by 6 in. (51 by 152 mm) or double nom 2 by 4 in. (51 by 102 mm) lumber studs.

B. **Sole Plate** — Nom 2 by 6 in. (51 by 152 mm) or parallel 2 by 4 in. (51 by 102 mm) lumber plates, tightly butted. Max diam of opening is 5 in. (127 mm)

C. **Top Plate** — The double top plate shall consist of two 2 by 6 in. (51 by 152 mm) or two sets of parallel 2 by 4 in. (51 by 102 mm) lumber plates, tightly butted. Max diam of opening is 5 in. (127 mm)

D. **Gypsum Board*** — Thickness, type, number of layers and fasteners shall be as specified in individual Wall and Partition Design.

2. Through Penetrant — One nonmetallic pipe to be installed either concentrically or eccentrically within the firestop system. Diam of opening in flooring, top plates and sole plates of optional chase wall shall be 1/2 in. (13 mm) larger than the outside diam of the pipe such that the annular space is min 0 in. (0 mm) (point contact) to

max 1/2 in. (13 mm) Pipe to be rigidly supported on both sides of floor-ceiling assembly. The following types and sizes of nonmetallic pipes may be used:

A. **Polyvinyl Chloride (PVC) Pipe** — Nom 4 in. (102 mm) diam (or smaller) Schedule 40 cellular or solid core PVC pipe for use in closed (process or supply) or vented (drain, waste or vent) piping system.

B. **Acrylonitrile Butadiene Styrene (ABS) Pipe** — Nom 4 in. diam (or smaller) Schedule 40 cellular or solid core ABS pipe for use in closed (process or supply) or vented (drain, waste or vent) piping system.

3. **Branch Piping** — (Optional) One nonmetallic pipe connected to through penetrant (Item 2) installed either concentrically or eccentrically within the opening in subfloor. Diam of opening in flooring shall be 1/2 in. (13 mm) larger than the outside diam of the pipe such that the annular space is min 0 in. (point contact) to max 1/2 in. (13 mm). The following types and sizes of nonmetallic pipes may be used:

A. **Polyvinyl Chloride (PVC) Pipe** — Nom 4 in. (102 mm) diam (or smaller) Schedule 40 cellular or solid core PVC pipe for use in closed (process or supply) or vented (drain, waste or vent) piping systems.

B. **Acrylonitrile Butadiene Styrene (ABS) Pipe** — Nom 4 in. (102 mm) diam (or smaller) Schedule 40 cellular or solid core ABS pipe for use in closed (process or supply) or vented (drain, waste or vent) piping systems.

4. **Firestop System** — The details of the firestop system shall be as follows:

A. **Fill, Void or Cavity Materials* — Caulk** — Min 3/4 in. (19 mm) thickness of caulk applied within annular space around perimeter of through penetrant and branch piping, flush with top surface of floor.
RELIANCE WORLDWIDE CORPORATION DBA HOLDRITE
HYDROFLAME — HydroFlame 200

B. **Fill, Void or Cavity Material* — Wrap Strip** — Nom 1/4 in. (6 mm) thick by 2 in. (51 mm) wide intumescent wrap strip. Two layers of wrap strip are individually wrapped around the through-penetrant with ends butted and held in place with masking tape. Butted ends in successive layer shall be offset. Wrap strip butted tightly against bottom surface of gypsum board ceiling or bottom top plates.
RELIANCE WORLDWIDE CORPORATION DBA HOLDRITE
HYDROFLAME — HydroFlame Wrap Strip

C. **Steel Collar** — Collar fabricated from coils of precut min 0.016 in. (.41 mm) thick (No. 28 gauge) galv steel available from fill material manufacturer. Collar shall be nom 2 in. (51 mm) deep with

1 in. (25 mm) wide by 1-1/2 in. (38 mm) long anchor tabs on 4 in. centers for securement to bottom surface of gypsum board ceiling by means of 1-1/2 in. (38 mm) long laminate screws or 1/8 in. (3.2 mm) diameter by 2 in. (51 mm) long hollow wall anchors with 3/4 in. (19 mm) washers at each anchor tab. When chase wall is used, collar to be secured to bottom top plate with min 3/4 in. (19 mm) long No. 10 (or larger) wood screws. In addition, collar contains retainer tabs 1/2 in. (13 mm) wide by 3/4 in. (19 mm) long, located opposite the anchor tabs. Collar shall be wrapped over the wrap strip, overlapping min 1 in. (25 mm). The retainer tabs are folded 90 deg towards the pipe to retain the wrap strip.

D. Firestop Device* — (As an alternate to Items 4B and 4C) Galv steel collar lined with an intumescent material sized to fit specific diam of the through penetrant. Device to be installed around through penetrant in accordance with accompanying installation instructions. Device incorporates anchor tabs for securement to underside of ceiling by means of 1-1/2 in. (38 mm) long laminate screws or 1/8 in. (3.2 mm) diameter by 2 in. (51 mm) long hollow wall anchors with 3/4 in. (19 mm) washers at each anchor tab. When chase wall is used, device to be secured to bottom of top plate with min 3/4 in. (19 mm) long No. 10 (or larger) wood screws.
**RELIANCE WORLDWIDE CORPORATION DBA HOLDRITE
HYDROFLAME** — HydroFlame Pipe Collar

*** Indicates such products shall bear the UL or cUL Certification Mark for jurisdictions employing the UL or cUL Certification (such as Canada), respectively.**

Last Updated on 2019-01-08

Design/System/Construction/Assembly Usage Disclaimer

- Authorities Having Jurisdiction should be consulted in all cases as to the particular requirements covering the installation and use of UL Certified products, equipment, system, devices, and materials.
 - Authorities Having Jurisdiction should be consulted before construction.
 - Fire resistance assemblies and products are developed by the design submitter and have been investigated by UL for compliance with applicable requirements. The published information cannot always address every construction nuance encountered in the field.
 - When field issues arise, it is recommended the first contact for assistance be the technical service staff provided by the product manufacturer noted for the design. Users of fire resistance assemblies are advised to consult the general Guide Information for each product category and each group of assemblies. The Guide Information includes specifics concerning alternate materials and alternate methods of construction.
 - Only products which bear UL's Mark are considered Certified.
-

The appearance of a company's name or product in this database does not in itself assure that products so identified have been manufactured under UL's Follow-Up Service. Only those products bearing the UL Mark should be considered to be Certified and covered under UL's Follow-Up Service. Always look for the Mark on the product.

UL permits the reproduction of the material contained in the Online Certification Directory subject to the following conditions: 1. The Guide Information, Assemblies, Constructions, Designs, Systems, and/or Certifications (files) must be presented in their entirety and in a non-misleading manner, without any manipulation of the data (or drawings). 2. The statement "Reprinted from the Online Certifications Directory with permission from UL" must appear adjacent to the extracted material. In addition, the reprinted material must include a copyright notice in the following format: "© 2019 UL LLC".

UL and the UL logo are trademarks of UL LLC © 2019 All Rights Reserved.