

# THROUGH-PENETRATION FIRESTOP SYSTEM

[Assembly Usage Disclaimer](#)

## Search Parameters

Manufacturer

Holdrite

## XHEZ - Through-penetration Firestop Systems

### XHEZ7 - Through-penetration Firestop Systems Certified for Canada

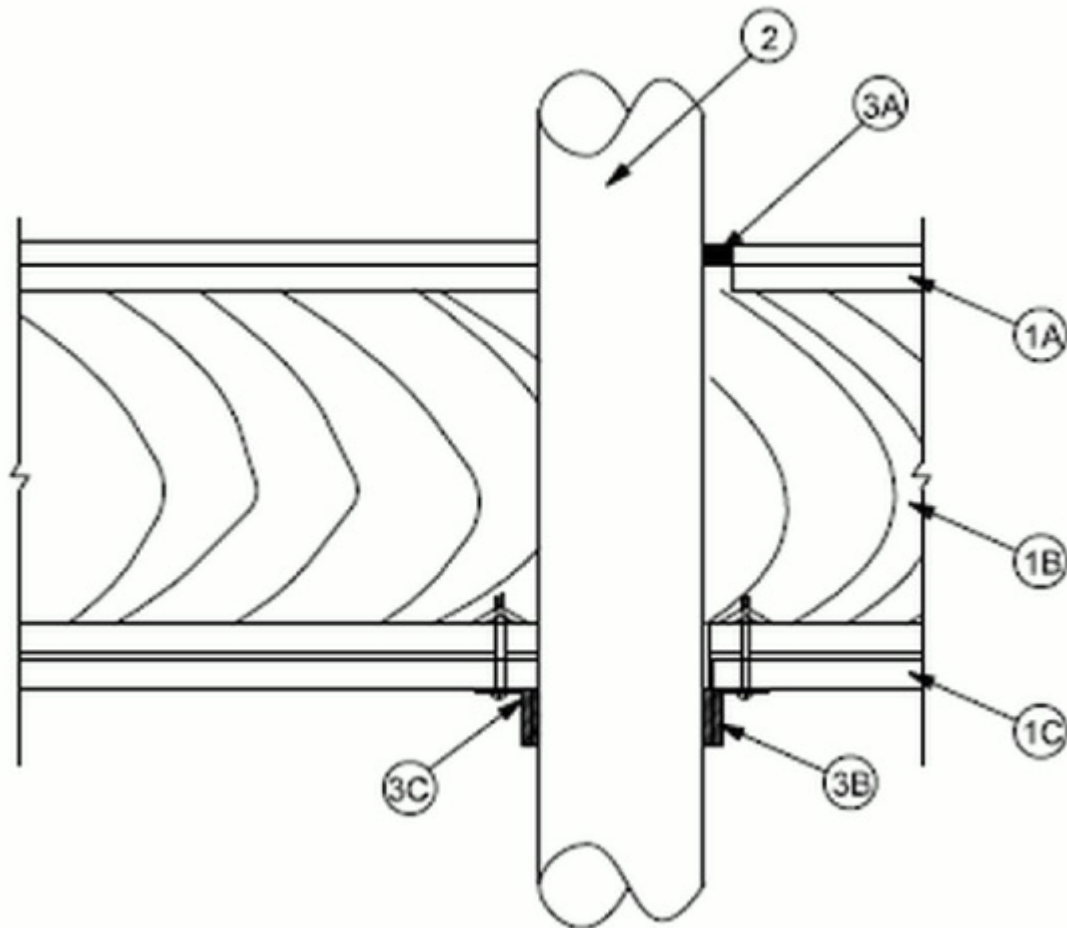
[See General Information for Through-penetration Firestop Systems](#)

[See General Information for Through-penetration Firestop Systems Certified for Canada](#)

### System No. F-C-2473

January 08, 2019

ANSI/UL1479 (ASTM E814)	CAN/ULC S115	
F Ratings — 1 or 2 Hr (See Item 1)	F Ratings — 1 or 2 Hr (See Item 1)	
T Rating — 1 or 2 Hr (See Item 1)	FT Rating — 1 or 2 Hr (See Item 1)	
	FH Ratings — 1 or 2 Hr (See Item 1)	
	FTH Rating — 1 or 2 Hr (See Item 1)	



**System tested with a pressure differential of 2.5 Pa between the exposed and the unexposed surfaces with the higher pressure on the exposed side.**

**1. Floor Ceiling Assembly** — The 1 hr fire-rated solid or trussed lumber joist floor-ceiling assembly shall be constructed of the materials and in the manner specified in the individual L500 Series Floor-Ceiling Designs in the UL Fire Resistance Directory. The 2 hr fire-rated wood joist floor-ceiling assembly shall be constructed of the materials and in the manner specified in Design Nos. L505, L511 or L536 in the UL Fire Resistance Directory.

**A. Flooring System** — Lumber or plywood subfloor with finish floor of lumber, plywood or **Floor Topping Mixture\*** as specified in the individual Floor-Ceiling Design. Diam of floor opening to be max 1/2 in. (13 mm) larger than outside diam of through penetrant (Item 3). Max diam of floor opening is 5 in. (127 mm).

**B. Wood Joists\*** — For 1 hr fire rated floor-ceiling assemblies nom 10 in. (254 mm) deep (or deeper) lumber, steel or combination lumber and steel joists, trusses or **Structural Wood Members\*** with bridging as required and with ends firestopped. For 2 hr fire rated floor-ceiling assemblies, nom 2 by 10 in. (51 by 254 mm) lumber joists spaced 16 in. (406 mm) OC with nom 1 by 3 in. (25 by 76 mm) lumber bridging and with ends firestopped.

C. **Furring Channels** — (Not Shown) — In 2 hr fire-rated assemblies, resilient galv steel furring installed perpendicular to wood joists between first and second layers of gypsum board (Item 1D). Furring channels spaced max 24 in. (610 mm) OC. In 1 hr fire rated assemblies, resilient galv steel furring (when required) installed perpendicular to wood joists between gypsum board and wood joists as specified in the individual Floor-Ceiling Design. Furring channels spaced max 24 in. (610 mm) OC.

D. **Gypsum Board\*** — Nom 4 ft (1.2 m) wide by 5/8 in. (16 mm) thick as specified in the individual Floor-Ceiling Design. First layer of gypsum board secured to wood joists or furring channels as specified in the individual Floor-Ceiling Design. Second layer of gypsum board (2 hr fire rated assembly) screw-attached to furring channels as specified in the individual Floor-Ceiling Design. Diam of ceiling opening to be max 1/2 in. (13 mm) larger than outside diam of through penetrant (Item 2). Max diam of ceiling opening is 5 in. (127 mm).

**The F and T Ratings of the firestop system are dependent upon the hourly fire rating of the floor-ceiling assembly and the type of through penetrant as shown in Item 3.**

2. **Through Penetrants** — One nonmetallic pipe or conduit to be installed either concentrically or eccentrically within the firestop system. The space the between pipe or conduit and periphery of opening shall be min 0 in. (point contact) to max 1/2 in. (13 mm). Pipe or conduit to be rigidly supported on both sides of floor-ceiling assembly. The following types and sizes of nonmetallic pipes or conduits may be used:

A. **Polyvinyl Chloride (PVC) Pipe** — Nom 4 in. (102 mm) diam Schedule 40 cellular or solid core PVC pipe for use in closed (process or supply) or vented (drain, waste or vent) piping systems.

B. **Chlorinated Polyvinyl Chloride (CPVC) Pipe** — Nom 4 in. (102 mm) diam SDR 13.5 CPVC pipe for use in closed (process or supply) or vented (drain, waste or vent) piping systems.

C. **Electrical Nonmetallic Tubing (ENT+)** — Nom 2 in. (51 mm) diam (or smaller) corrugated-wall electrical nonmetallic tubing (ENT) constructed of polyvinyl chloride (PVC) and installed in accordance with the National Electrical Code (NFPA No. 70). See **Electrical Nonmetallic Tubing** (FKHU) category in the Electrical Construction Materials Directory for names of manufacturers.

D. **Rigid Nonmetallic Conduit (RNC)+** — Nom 2 in. (51 mm) diam (or smaller) Schedule 40 PVC conduit installed in accordance with Article 347 of the National Electrical Code (NFPA No. 70).

E. **Acrylonitrile Butadiene Styrene (ABS) Pipe** — Nom 3 in. (76 mm) diam (or smaller) Schedule 40 solid or cellular core ABS pipe

for use in closed (process or supply) or vented (drain, waste or vent) piping systems.

**3. Firestop System** — The firestop system shall consist of the following:

**A. Fill, Void or Cavity Material\* — Caulk** — Min 3/4 in. (19 mm) thickness of fill material applied within the annulus, flush with the top surface of the floor. Min 5/8 in. (16 mm) thickness of fill material applied within the annulus, flush with bottom surface of ceiling. Min 3/8 in. (10 mm) diam bead of fill material applied at point contact locations.

**RELIANCE WORLDWIDE CORPORATION DBA HOLDRITE  
HYDROFLAME** — HydroFlame 200

**B. Fill, Void or Cavity Material\* — Wrap Strip** — 1/4 in. (6 mm) thick by 2 in. (51 mm) wide wrap strip shall be used in conjunction with the steel collar (Item 3C). Layers of wrap strip are individually wrapped around the pipe or pipe and coupler with ends butted and held in place with tape. Butted ends in successive layers shall be offset. The edge of the wrap strip shall abut the surface of the ceiling. The pieces of wrap strip shall be temporarily secured in position using masking tape.

**RELIANCE WORLDWIDE CORPORATION DBA HOLDRITE  
HYDROFLAME** — HydroFlame Wrap Strip

**C. Steel Collar** — Collar fabricated from coils of precut min 0.016 in. thick (No. 28 gauge) galv steel available from the fill material manufacturer. Collar shall be nom 2 in. deep with 1 in. wide by 1-1/4 in. long anchor tabs on 4 in. centers for securement to the wall. In addition, the collar contains retainer tabs, 3/4 in. wide, located opposite the anchor tabs. The collar shall be wrapped over the pipe and overlapped min 2 in. The retaining tabs opposite the anchor tabs are folded 90 degrees towards the pipe to maintain the annular space around the pipe and to retain the caulk (Item 3A). Steel collar is slid along the pipe until it butts the bottom surface of the ceiling. Collar secured to surface at each anchor tab with 1-1/2 in. long laminate screws or 1/8 in. by 2 in. long hollow wall anchors. Collar installed on bottom of ceiling only.

**D. Firestop Device\*** — (As an alternate to Items 3B and 3C) Galv steel collar lined with an intumescent material sized to fit specific diam of the through penetrant. Device to be installed around through penetrant in accordance with accompanying installation instructions. Device incorporates anchor tabs for securement to underside of ceiling by means of 1-1/2 in. long laminate screws or 1/8 in. diameter by 2 in. long hollow wall anchors with 3/4 in. washers at each anchor tab. When chase wall is used, device to be

secured to bottom of top plate with min 3/4 in. long No. 10 (or larger) wood screws.

**RELIANCE WORLDWIDE CORPORATION DBA HOLDRITE  
HYDROFLAME — HydroFlame Pipe Collar**

**\* Indicates such products shall bear the UL or cUL Certification Mark for jurisdictions employing the UL or cUL Certification (such as Canada), respectively.**

+Bearing the UL Listing Mark

Last Updated on 2019-01-08

---

### **Design/System/Construction/Assembly Usage Disclaimer**

- Authorities Having Jurisdiction should be consulted in all cases as to the particular requirements covering the installation and use of UL Certified products, equipment, system, devices, and materials.
- Authorities Having Jurisdiction should be consulted before construction.
- Fire resistance assemblies and products are developed by the design submitter and have been investigated by UL for compliance with applicable requirements. The published information cannot always address every construction nuance encountered in the field.
- When field issues arise, it is recommended the first contact for assistance be the technical service staff provided by the product manufacturer noted for the design. Users of fire resistance assemblies are advised to consult the general Guide Information for each product category and each group of assemblies. The Guide Information includes specifics concerning alternate materials and alternate methods of construction.
- Only products which bear UL's Mark are considered Certified.

---

The appearance of a company's name or product in this database does not in itself assure that products so identified have been manufactured under UL's Follow-Up Service. Only those products bearing the UL Mark should be considered to be Certified and covered under UL's Follow-Up Service. Always look for the Mark on the product.

UL permits the reproduction of the material contained in the Online Certification Directory subject to the following conditions: 1. The Guide Information, Assemblies, Constructions, Designs, Systems, and/or Certifications (files) must be presented in their entirety and in a non-misleading manner, without any manipulation of the data (or drawings). 2. The statement "Reprinted from the Online Certifications Directory with permission from UL" must appear adjacent to the extracted material. In addition, the reprinted material must include a copyright notice in the following format: "© 2019 UL LLC".