

# THROUGH-PENETRATION FIRESTOP SYSTEM

[Assembly Usage Disclaimer](#)

## Search Parameters

Manufacturer

Holdrite

### XHEZ - Through-penetration Firestop Systems

#### XHEZ7 - Through-penetration Firestop Systems Certified for Canada

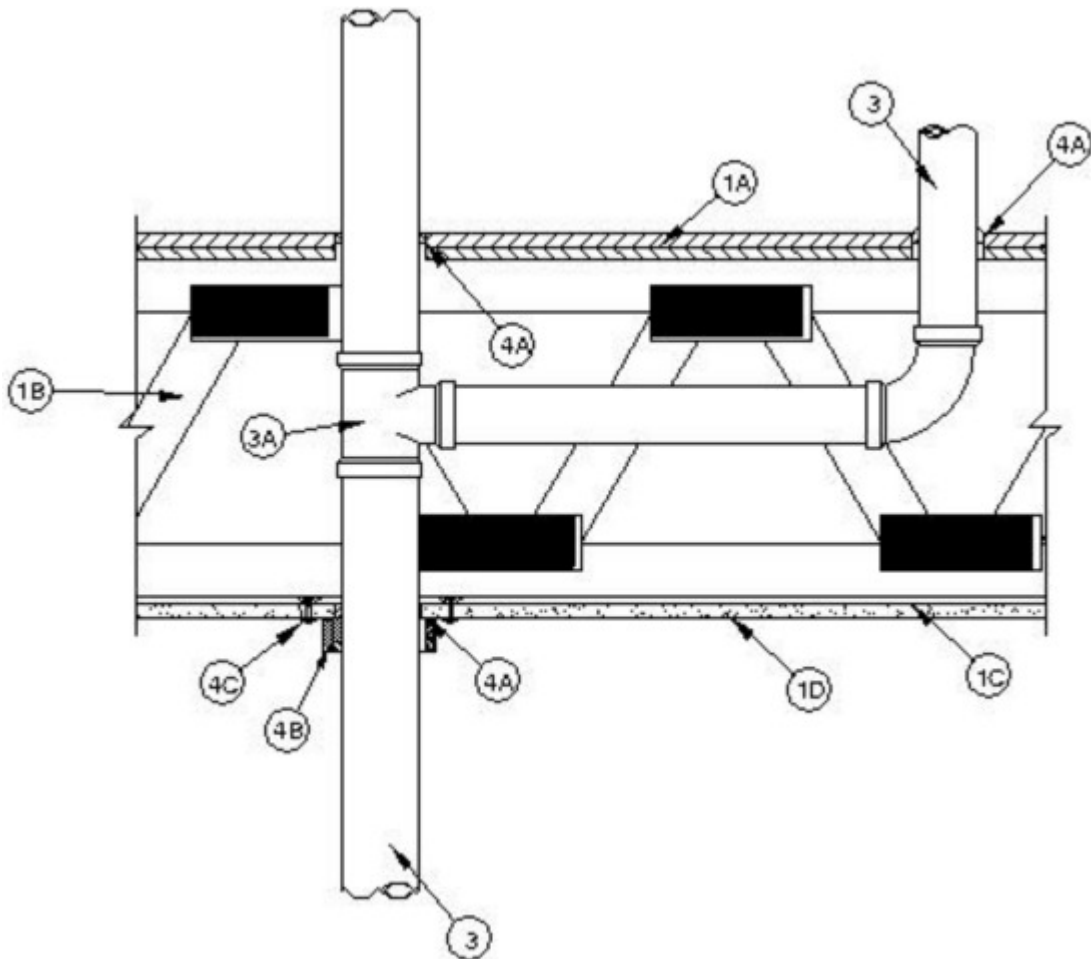
[See General Information for Through-penetration Firestop Systems](#)

[See General Information for Through-penetration Firestop Systems Certified for Canada](#)

### System No. F-C-2476

January 29, 2019

ANSI/UL1479 (ASTM E814)	CAN/ULC S115
F Ratings - 1 Hr	F Ratings - 1 Hr
T Ratings - 3/4 and 1 Hr (See Item 4)	FT Ratings - 3/4 and 1 Hr (See Item 4)
	FH Ratings -1 Hr
	FTH Ratings - 3/4 and 1 Hr (See Item 4)
L Rating At Ambient - Less Than 1 CFM/sq ft	L Rating At Ambient - Less Than 1 CFM/sq ft
L Rating At 400°F - Less Than 1 CFM/sq ft	L Rating At 400°F - Less Than 1 CFM/sq ft



**1. Floor-Ceiling Assembly** — The 1 hr fire-rated solid or trussed lumber joist floor-ceiling assembly shall be constructed of the materials and in the manner specified in individual L500 Series Floor-Ceiling Designs in the UL Fire Resistance Directory, as summarized below:

**A. Flooring System** — Lumber or plywood subfloor with finish floor of lumber, plywood or **Floor Topping Mixture\*** as specified in the individual Floor-Ceiling Design. Max diam of floor opening is 5 in. (127 mm).

**B. Wood Joists** — Nom 2 by 10 in. (51 by 254 mm) lumber joists spaced 16 in. (406 mm) OC with nom 1 by 3 in. (25 by 76 mm) lumber bridging and with ends firestopped. As an alternate to lumber joists, nom 10 in. (254 mm) deep (or deeper) lumber, steel or combination lumber and steel joists, trusses or **Structural Wood Members\*** with bridging as required with ends firestopped.

**C. Furring Channels** — (Not Shown) — Resilient galv steel furring installed perpendicular to wood joists (Item 1B) between gypsum board (Item 1D) and wood joists as required in the individual Floor Ceiling Design.

**D. Gypsum Board\*** — Nom 4 ft (1.2 m) wide by 5/8 in. (16 mm) thick as specified in the individual Floor-Ceiling Design. Gypsum board secured to wood joists as specified in the individual Floor-Ceiling Design. Max diam of ceiling opening is 5in. (127mm).

2. **Chase Wall (Optional)** — The through penetrant (Item 3) may be routed through a 1 hr fire-rated single, double or staggered wood stud/gypsum board chase wall constructed of the materials and in the manner specified in individual U300 Series Wall and Partition Designs in the UL Fire Resistance Directory and shall have the following construction details:

### CHASE WALL CONFIGURATION A

A. **Studs** — Nom 2 by 6 in. (51 by 152 mm) or double nom 2 by 4 in. (51 by 102 mm) lumber studs.

B. **Sole Plate** — Nom 2 by 6 in. (51 by 152 mm) or parallel 2 by 4 in. (51 by 102 mm) lumber plates, tightly butted. Max diam of opening is 5 in. (127 mm).

C. **Top Plate** — The double top plate shall consist of two nom 2 by 6 in. or two sets of parallel 2 by 4 in. (51 by 102 mm) lumber plates, tightly butted. Max diam of opening is 5 in. (127 mm).

D. **Gypsum Board\*** — Thickness, type, number of layers and fasteners shall be as specified in individual Wall and Partition Design.

### CHASE WALL CONFIGURATION B

A. **Studs** — Nom 2 by 4 in. (51 by 102 mm), 2 by 6 in. (51 by 152 mm) or double 2 by 4 in. (51 by 102 mm) lumber studs. Nom 2 by 4 in. (51 by 102 mm) studs are allowed for a max 3 in. (76 mm) diameter penetrant.

B. **Sole Plate** — Nom 2 by 4 in. (51 by 102 mm), 2 by 6 in. (51 by 152 mm) or parallel 2 by 4 in. (51 by 102 mm) lumber plates, tightly butted. Plate may be discontinuous over opening, terminating at both sides of periphery of opening. For openings 3 in. (76 mm) diam or less, plate may be continuous with opening cut in plate. Max diam of opening or max length of discontinuity is 4 in. (102 mm).

C. **Top Plate** — The single top plate shall consist of nom 2 by 4 in. (51 by 102 mm), 2 by 6 in. (51 by 152 mm) or parallel 2 by 4 in. (51 by 102 mm) lumber plates, tightly (76 mm) butted. Plate may be discontinuous over opening, terminating at both sides of periphery of opening. For openings 3 in. (76 mm) diam or less, plate may be continuous with opening cut in plate. Max diam of opening or max length of discontinuity is 4 in. (102 mm).

D. **Steel Plate** — For a nom 3 in. (76 mm) diameter penetrant through 2 by 4 in. (51 by 102 mm) lumber plates, two sides of non-continuous lumber plates shall be connected with nom 16 gauge (or heavier) 1-1/2 in. (38 mm) wide steel plate. Steel plates to be sized in length to overlap a min of 4 in. (102 mm) onto each side of the non-continuous plates and secured with a min of two 1/2 in. (13

mm) long (or longer) No. 8 (or larger) wood screws on each side of each plate.

E. **Gypsum Board\*** — Thickness, type, number of layers and fasteners shall be as specified in individual Wall and Partition Design.

3. **Through Penetrants** — One nonmetallic pipe to be centered within the firestop system. Diam of opening hole-sawed through flooring (Item 1B) and through both top plates (Item 2C) to be max 1/2 in. (13 mm) larger than the outside diam of pipe. The pipe may be installed with continuous point contact. Pipe to be rigidly supported on both sides of floor-ceiling assembly. The following types nonmetallic pipes may be used:

A. **Polyvinyl Chloride (PVC) Pipe** — Nom 4 in. (102 mm) diam (or smaller) Schedule 40 cellular or solid core PVC pipe for use in closed (process or supply) or vented (drain, waste, or vent) piping systems.

B. **Acrylonitrile Butadiene Styrene (ABS) Pipe** — Nom 4 in. (102 mm) diam (or smaller) Schedule 40 cellular or solid core ABS pipe for use in closed (process or supply) or vented (drain, waste or vent) piping systems.

3A. **Sanitary Tee (Optional)** — The vertical pipe (Item 3) may be provided with a Schedule 40 PVC or ABS sanitary tee above the top plate of the chase wall for connection of a nom 2 in. (51 mm) diam (or smaller) Schedule 40 solid or cellular core PVC or ABS drain pipe, respectively. Drain pipe to run horizontally through the concealed space above the ceiling and penetrate the flooring. Diam of the circular opening in the flooring shall be a max 5/8 in. (16 mm) larger than the diam of the pipe such that a min 0 in. (point contact) to a max 5/8 in. (16 mm) annular space is present between the pipe and the periphery of the opening. The pipe may be installed with continuous point contact.

4. **Firestop System** — The firestop system shall consist of the following:

A. **Fill, Void or Cavity Material\* — Sealant** — Min 3/4 in. (19 mm) thickness of fill material applied within annulus, flush with top surface of floor or top surface of the sole plate of chase wall assembly (when used). Min 5/8 in. (16 mm) thickness of fill material applied within annulus, flush with the bottom of the gypsum ceiling or bottom surface of lower top plate of chase wall assembly (when used). Additional fill material to be installed such that a min 3/8 in. (10 mm) bead is formed around the through penetrant on the top surface of floor or top surface of the sole plate of chase wall assembly (when used) and the bottom of the gypsum ceiling or bottom surface of lower top plate of chase wall (when used). When the optional sanitary tee is used, min 3/4 in. (19 mm) thickness of fill material applied within annulus between drain pipe and flooring, on top surface of floor. Additional fill material to be installed such that a min 3/8 in. (10 mm) bead is formed around the drain pipe on the top surface of floor. If the through penetrant is installed with

continuous point contact, a min 1/2 in. (13 mm) thick bead of fill material shall be applied around outer circumference of through penetrant on top surface of floor and bottom surface of lower top plate. The T Rating of the firestop system is dependent upon the type of sealant used within the firestop system as shown in the table below:

Type of Fill Material	T Rating, Hr
HydroFlame 200	1

**RELIANCE WORLDWIDE CORPORATION DBA HOLDRITE  
HYDROFLAME — HydroFlame 100, HydroFlame 200**

**B. Fill, Void or Cavity Material\* — Wrap Strip —** Nom 1/4 in. (6 mm) thick intumescent material faced on both sides with a plastic film, supplied in 1 in. (25 mm) wide strips. Two layers of wrap strips are individually wrapped around the through-penetrant with the ends butted and held in place with masking tape. Butted ends in successive layers shall be offset or aligned. The wrap strips are wrapped around vertical through-penetrant (Item 3) on underside of gypsum board ceiling or bottom surface of lower top plate of chase wall assembly (if used).

**RELIANCE WORLDWIDE CORPORATION DBA HOLDRITE  
HYDROFLAME — HydroFlame Wrap Strip**

**C. Steel Collar —** Collar fabricated from coils of precut 0.018 in. (0.46 mm) thick (28 MSG) galv sheet steel available from wrap strip manufacturer. Collar shall be nom 1 in. (25 mm) deep with min four 1 in. (25 mm) wide by 2 in. (51 mm) long anchor tabs for attachment to underside of ceiling or bottom surface of lower top plate of chase wall assembly (if used). Retainer tabs, 3/4 in. (19 mm) wide tapering down to 1/4 in. (6 mm) wide and located opposite the anchor tabs, are folded 90 degrees toward through-penetrant surface to maintain the annular space around the through-penetrant and to retain the wrap strips. Steel collar wrapped around wrap strips and vertical through-penetrant (Item 3) with a 1-1/2 in. (38 mm) wide overlap along its perimeter joint and secured together by means of a min 1/2 in. (13 mm) wide by 0.028 in. (0.71 mm) thick stainless steel hose clamp installed at mid-height of the collar. Collar secured to ceiling or bottom surface of lower top plate of chase wall assembly (if used) at each anchor tab with 3/16 in. (4.8 mm) diam by min 3 in. (76 mm) long toggle bolts in conjunction with min 1/4 in. (6 mm) by 1-1/4 in. (32 mm) diam steel fender washers.

**\* Indicates such products shall bear the UL or cUL Certification Mark for jurisdictions employing the UL or cUL Certification (such as Canada), respectively.**

## **Design/System/Construction/Assembly Usage Disclaimer**

- Authorities Having Jurisdiction should be consulted in all cases as to the particular requirements covering the installation and use of UL Certified products, equipment, system, devices, and materials.
- Authorities Having Jurisdiction should be consulted before construction.
- Fire resistance assemblies and products are developed by the design submitter and have been investigated by UL for compliance with applicable requirements. The published information cannot always address every construction nuance encountered in the field.
- When field issues arise, it is recommended the first contact for assistance be the technical service staff provided by the product manufacturer noted for the design. Users of fire resistance assemblies are advised to consult the general Guide Information for each product category and each group of assemblies. The Guide Information includes specifics concerning alternate materials and alternate methods of construction.
- Only products which bear UL's Mark are considered Certified.

---

The appearance of a company's name or product in this database does not in itself assure that products so identified have been manufactured under UL's Follow-Up Service. Only those products bearing the UL Mark should be considered to be Certified and covered under UL's Follow-Up Service. Always look for the Mark on the product.

UL permits the reproduction of the material contained in the Online Certification Directory subject to the following conditions: 1. The Guide Information, Assemblies, Constructions, Designs, Systems, and/or Certifications (files) must be presented in their entirety and in a non-misleading manner, without any manipulation of the data (or drawings). 2. The statement "Reprinted from the Online Certifications Directory with permission from UL" must appear adjacent to the extracted material. In addition, the reprinted material must include a copyright notice in the following format: "© 2019 UL LLC".