

THROUGH-PENETRATION FIRESTOP SYSTEM

Assembly Usage Disclaimer

Search Parameters

Manufacturer

Holdrite

XHEZ - Through-penetration Firestop Systems

XHEZ7 - Through-penetration Firestop Systems Certified for Canada

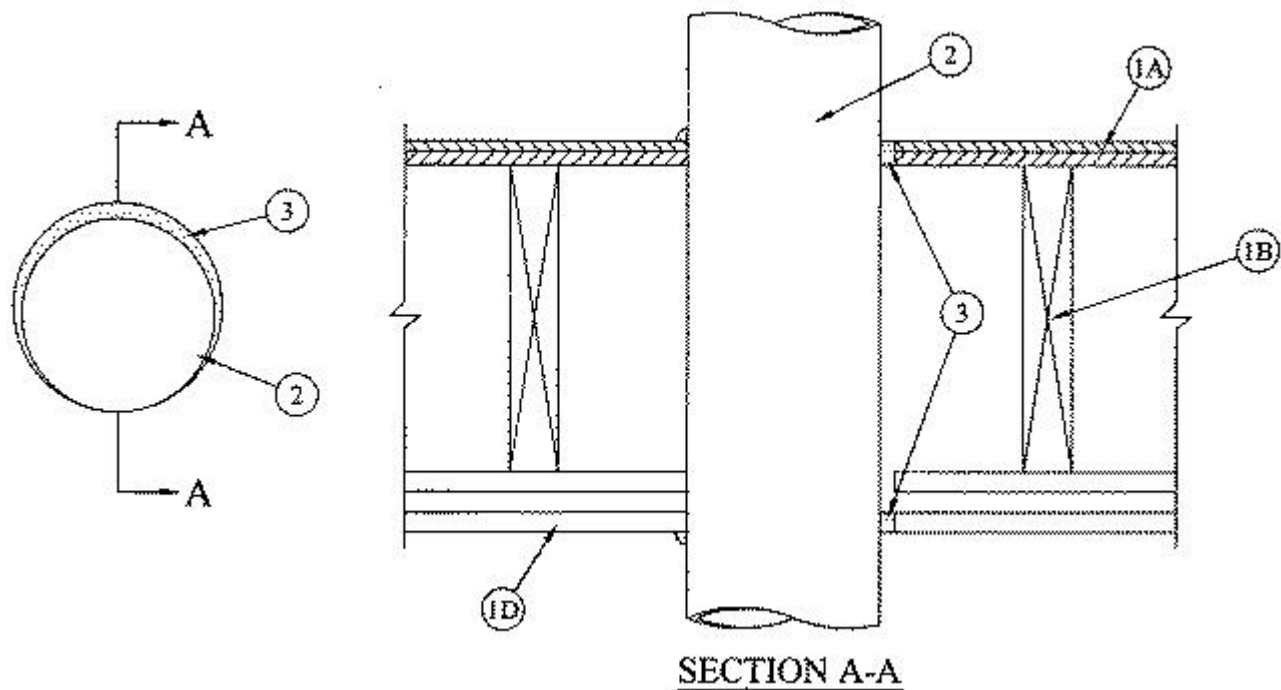
[See General Information for Through-penetration Firestop Systems](#)

[See General Information for Through-penetration Firestop Systems Certified for Canada](#)

System No. F-C-7078

January 29, 2019

ANSI/UL1479 (ASTM E814)	CAN/ULC S115
F Ratings - 1 and 2 Hr (See Item 1)	F Ratings - 1 and 2 Hr (See Item 1)
T Ratings - FT Ratings - 1 and 1-1/2 Hr (See Item 1)	FT Ratings - 1 and 1-1/2 Hr (See Item 1)
	FH Ratings - 1 and 2 Hr (See Item 1)
	FTH Ratings - 1 and 1-1/2 Hr (See Item 1)
L Rating At Ambient - Less Than 1 CFM/sq ft	L Rating At Ambient - Less Than 1 CFM/sq ft
L Rating At 400°F - Less Than 1 CFM/sq ft	L Rating At 400°F - Less Than 1 CFM/sq ft



1. Floor-Ceiling Assembly — The 1 hr fire-rated solid or trussed lumber joist floor-ceiling assembly shall be constructed of the materials and in the manner specified in the individual L500 Series Floor-Ceiling Designs in the UL Fire Resistance Directory. The 2 hr fire-rated wood joist floor-ceiling assembly shall be constructed of the materials and in the manner specified in Design Nos. L505, L511 or L536 in the UL Fire Resistance Directory. The general construction features of the floor-ceiling assembly are summarized below:

A. Flooring System — Lumber or plywood subfloor with finish floor of lumber, plywood or **Floor Topping Mixture*** as specified in the individual Floor-Ceiling Design. Max diam of floor opening is 6-1/2 in. (165 mm).

B. Wood Joists* — For 1 hr fire-rated floor-ceiling assemblies nom 10 in. (254 mm) deep (or deeper) lumber, steel or combination lumber and steel joists, trusses or **Structural Wood Members*** with bridging as required and with ends firestopped. For 2 hr fire-rated floor-ceiling assemblies, nom 2 by 10 in. (51 by 254 mm) lumber joists spaced 16 in. (406 mm) OC with nom 1 by 3 in. (25 by 76 mm) lumber bridging and with ends firestopped.

C. Furring Channels — (Not Shown) — In 2 hr fire-rated assemblies, resilient galv steel furring installed perpendicular to wood joists between first and second layers of gypsum board (Item 1D). Furring channels spaced max 24 in. (610 mm) OC. In 1 hr fire-rated assemblies, resilient galv steel furring installed perpendicular to wood joists between gypsum board and wood joists as specified in the individual Floor-Ceiling Design. Furring channels spaced max 24 in. (610 mm) OC.

D. Gypsum Board* — Nom 4 ft (1.2 m) wide by 5/8 in. (16 mm) thick as specified in the individual Floor-Ceiling Design. First layer of gypsum board secured to wood joists or furring channels as

specified in the individual Floor-Ceiling Design. Second layer of gypsum board (2 hr fire-rated assembly) screw-attached to furring channels as specified in the individual Floor-Ceiling Design. Max diam of ceiling opening is 6-1/2 in. (165 mm).

The hourly F and T Ratings of the firestop system are dependent on the hourly fire rating of the floor-ceiling/chase wall assembly in which it is installed as shown in the following table:

Rating of Assembly, Hr	F Rating, Hr	T Rating, Hr
2	2	1-1/2
1	1	1

1.1 Chase Wall — (Not Shown, Optional) — The through penetrants (Item 2) may be routed through a 1 or 2 hr fire-rated single, double or staggered wood stud/gypsum board chase wall having a fire rating consistent with that of the floor-ceiling assembly. The chase wall shall be constructed of the materials and in the manner specified in the individual U300 Series Wall and Partition Designs in the UL Fire Resistance Directory and shall include the following construction features:

A. **Studs —** Nom 2 by 8 in. (51 by 203 mm) lumber or double nom 2 by 6 in. (51 by 152 mm) lumber studs.

B. **Sole Plate —** Nom 2 by 8 in. (51 by 203 mm) lumber or parallel 2 by 6 in. (51 by 152 mm) lumber plates, tightly butted.

C. **Top Plate —** The double top plate shall consist of two nom 2 by 8 in. (51 by 203 mm) lumber plates or two sets of nom 2 by 6 in. (51 by 152 mm) lumber plates tightly butted. Max diam of opening is 6-1/2 in. (165 mm).

D. **Gypsum Board* —** Thickness, type, number or layers and fasteners shall be as specified in individual Wall and Partition Designs.

2 Through Penetrant — Nom 6 in. (152 mm) diam (or smaller) by No. 30 MSG (or heavier) steel duct. One steel duct to be installed either concentrically or eccentrically within the firestop system. The annular space within the firestop system shall be a min 0 in. (point contact) to a max 1/2 in. (13 mm). Steel duct to be rigidly supported on both sides of floor-ceiling assembly.

3. Fill, Void or Cavity Material* — Sealant — Min 3/4 in. (19 mm) thickness of fill material applied flush with annulus on top surface of floor or sole plate. Min 1/2 in. (13 mm) thickness of fill material applied flush with annulus on bottom surface of ceiling or on bottom surface of lower top plate of chase wall assembly. At point contact, min 3/8 in. (10 mm) diam bead of fill material applied at penetrant/floor or sole plate interface and at penetrant/ceiling or top plate interface.

RELIANCE WORLDWIDE CORPORATION DBA HOLDRITE HYDROFLAME —
HydroFlame 100

+Bearing the UL Listing Mark

*** Indicates such products shall bear the UL or cUL Certification Mark for jurisdictions employing the UL or cUL Certification (such as Canada), respectively.**

Last Updated on 2019-01-29

Design/System/Construction/Assembly Usage Disclaimer

- Authorities Having Jurisdiction should be consulted in all cases as to the particular requirements covering the installation and use of UL Certified products, equipment, system, devices, and materials.
- Authorities Having Jurisdiction should be consulted before construction.
- Fire resistance assemblies and products are developed by the design submitter and have been investigated by UL for compliance with applicable requirements. The published information cannot always address every construction nuance encountered in the field.
- When field issues arise, it is recommended the first contact for assistance be the technical service staff provided by the product manufacturer noted for the design. Users of fire resistance assemblies are advised to consult the general Guide Information for each product category and each group of assemblies. The Guide Information includes specifics concerning alternate materials and alternate methods of construction.
- Only products which bear UL's Mark are considered Certified.

The appearance of a company's name or product in this database does not in itself assure that products so identified have been manufactured under UL's Follow-Up Service. Only those products bearing the UL Mark should be considered to be Certified and covered under UL's Follow-Up Service. Always look for the Mark on the product.

UL permits the reproduction of the material contained in the Online Certification Directory subject to the following conditions: 1. The Guide Information, Assemblies, Constructions, Designs, Systems, and/or Certifications (files) must be presented in their entirety and in a non-misleading manner, without any manipulation of the data (or drawings). 2. The statement "Reprinted from the Online Certifications Directory with permission from UL" must appear adjacent to the extracted material. In addition, the reprinted material must include a copyright notice in the following format: "© 2019 UL LLC".

UL and the UL logo are trademarks of UL LLC © 2019 All Rights Reserved.