

# THROUGH-PENETRATION FIRESTOP SYSTEM

Assembly Usage Disclaimer

## Search Parameters

Manufacturer

Holdrite

## XHEZ - Through-penetration Firestop Systems

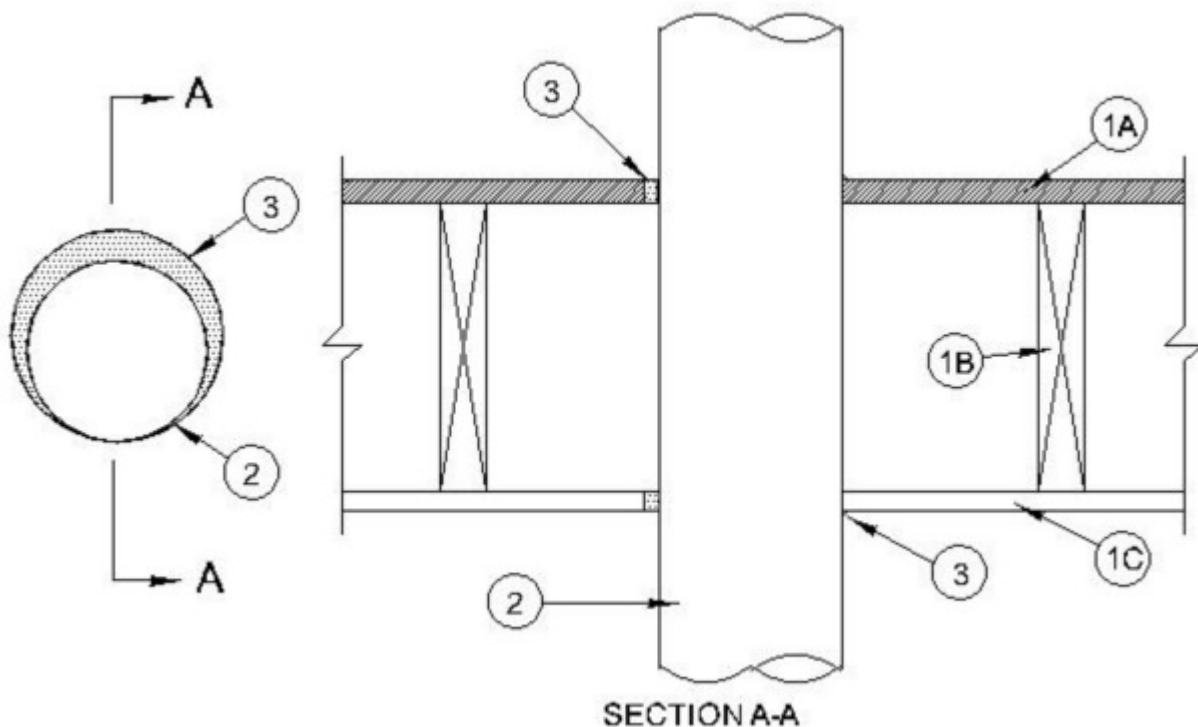
See General Information for Through-penetration Firestop Systems

### System No. F-C-7080

January 29, 2019

F Rating — 1 Hr

T Rating — 1 Hr



**1. Floor - Ceiling Assembly** — The 1 hr fire-rated wood joist floor-ceiling assembly shall be constructed of the materials and in the manner specified in the individual L500 Designs in the UL Fire Resistance Directory, as summarized below:

**A. Flooring System** — Lumber or plywood subfloor with finish floor of lumber, plywood or **Floor Topping Mixture\*** as specified in the individual Floor-Ceiling Design. Max diam of floor opening is 7 in. (178 mm).

**B. Wood Joists** — Nom 10 in. (254 mm) deep (or deeper) lumber, steel or combination lumber and steel joists, trusses or **Structural Wood Members\*** with bridging as required and with ends firestopped.

**C. Gypsum Board\*** — Nom 5/8 in. (16 mm) thick as specified in the individual Floor-Ceiling Design. Wallboard secured to joists as specified in the individual Floor-Ceiling Design. Max diam of ceiling opening is 7 in. (178 mm).

**2. Through Penetrants** — Nom 6 in. (152 mm) diam (or smaller) min 30 Ga. duct to be installed concentrically or eccentrically within the firestop system. Duct to be rigidly supported on both sides of floor assembly.

**3. Fill, Void or Cavity Material - Caulk** — Min 3/4 in. (19 mm) thickness of fill material applied within annulus, flush with top surface of subfloor and min 5/8 in. (16 mm) thickness of fill material applied within annulus, flush with bottom surface of ceiling. At point contact locations, a min 1/4 in. (6 mm) diam bead of fill material shall be applied to the subfloor/duct and ceiling/duct interfaces.

**RELIANCE WORLDWIDE CORPORATION DBA HOLDRITE HYDROFLAME** —  
HydroFlame 100

**\* Indicates such products shall bear the UL or cUL Certification Mark for jurisdictions employing the UL or cUL Certification (such as Canada), respectively.**

Last Updated on 2019-01-29

---

### **Design/System/Construction/Assembly Usage Disclaimer**

- Authorities Having Jurisdiction should be consulted in all cases as to the particular requirements covering the installation and use of UL Certified products, equipment, system, devices, and materials.
- Authorities Having Jurisdiction should be consulted before construction.
- Fire resistance assemblies and products are developed by the design submitter and have been investigated by UL for compliance with applicable requirements. The published information cannot always address every construction nuance encountered in the field.
- When field issues arise, it is recommended the first contact for assistance be the technical service staff provided by the product manufacturer noted for the design. Users of fire resistance assemblies are advised to consult the general Guide Information for each product category and

each group of assemblies. The Guide Information includes specifics concerning alternate materials and alternate methods of construction.

- Only products which bear UL's Mark are considered Certified.

---

The appearance of a company's name or product in this database does not in itself assure that products so identified have been manufactured under UL's Follow-Up Service. Only those products bearing the UL Mark should be considered to be Certified and covered under UL's Follow-Up Service. Always look for the Mark on the product.

UL permits the reproduction of the material contained in the Online Certification Directory subject to the following conditions: 1. The Guide Information, Assemblies, Constructions, Designs, Systems, and/or Certifications (files) must be presented in their entirety and in a non-misleading manner, without any manipulation of the data (or drawings). 2. The statement "Reprinted from the Online Certifications Directory with permission from UL" must appear adjacent to the extracted material. In addition, the reprinted material must include a copyright notice in the following format: "© 2019 UL LLC".

UL and the UL logo are trademarks of UL LLC © 2019 All Rights Reserved.