

# THROUGH-PENETRATION FIRESTOP SYSTEM

[Assembly Usage Disclaimer](#)

## Search Parameters

Manufacturer

Holdrite

## XHEZ - Through-penetration Firestop Systems

[See General Information for Through-penetration Firestop Systems](#)

### System No. W-L-2705

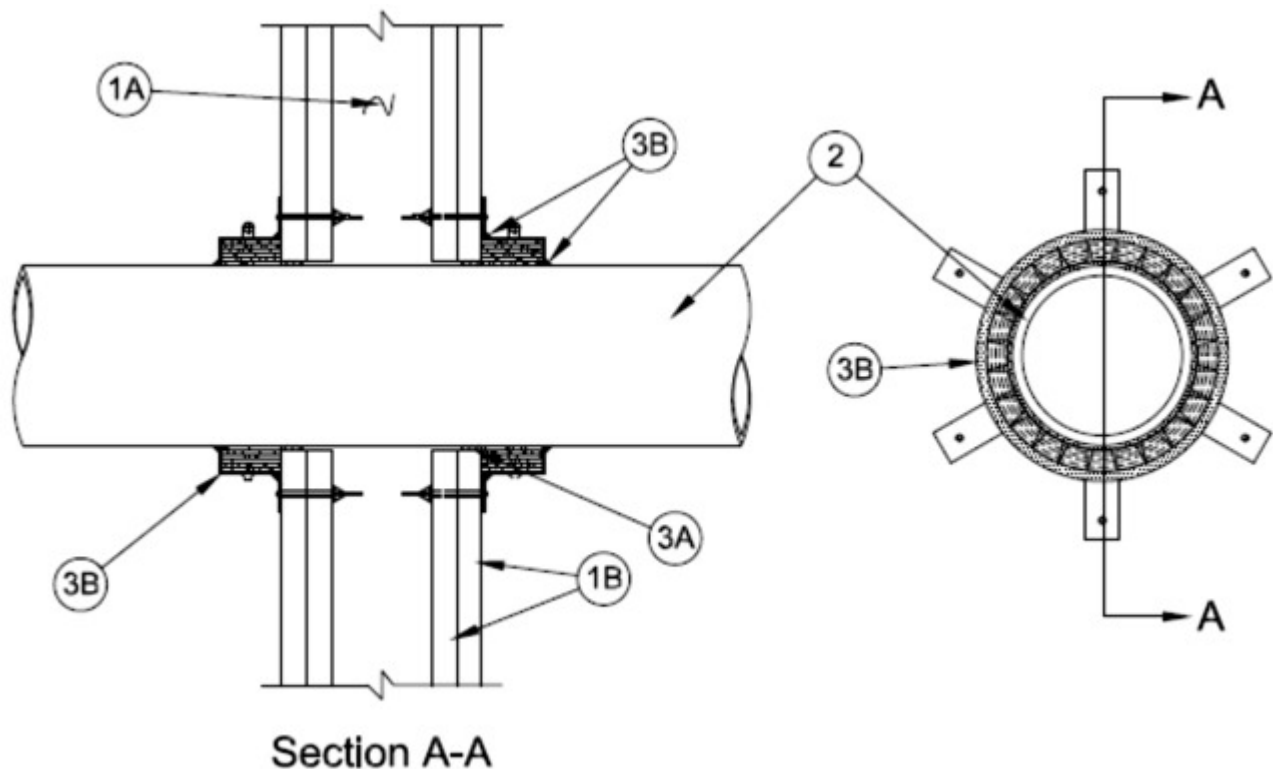
January 10, 2019

**F Rating — 1 or 2 Hr (See Item 1)**

**T Rating — 0 or 1-1/2 Hr ( See Item 3)**

**L Rating at Ambient — Less Than 1 CFM/sq ft ( See Item 3)**

**L Rating at 400°F — Less Than 1 CFM/sq ft ( See Item 3)**



1. **Wall Assembly** — The 1 or 2 hr fire rated gypsum board/stud wall assembly shall be constructed of the materials and in the manner specified in the individual U400 or V400 Series Wall and Partition Designs in the UL Fire Resistance Directory and shall include the following construction features:

A. **Studs** — Wall framing shall consist of min 3-1/2 in. (89 mm) wide steel channel studs spaced max 24 in. (610 mm) OC.

B. **Gypsum Board\*** — Thickness, type, number of layers and fasteners as required in the individual Wall and Partition Design. Max diam of opening is 5 in. (12 mm).

2. **Through Penetrants** — Nom 4 in. (102 mm) diam (or smaller). Schedule 40 solid core PVDF pipe for use in closed (process or supply) or vented (drain, waste or vent) piping systems. Pipe to be installed either concentrically or eccentrically within the firestop system. The annular space between the pipe and periphery of opening shall be min 0 in. (point contact) to max 1/2 in. (13 mm). Pipe to be rigidly supported on both sides of wall assembly.

3. **Firestop System** — The firestop system shall consist of the following:

A. **Fill, Void or Cavity Materials \* - Caulk** — (Optional, Required or air leakage) Min thickness of 1/2 in. (13 mm) of caulk applied within annulus, flush with both surfaces of wall assembly.

**RELIANCE WORLDWIDE CORPORATION DBA HOLDRITE HYDROFLAME** — HydroFlame 100, HydroFlame 200

Air leakage rating only applies when Item 3A is used.

The T rating is 1-1/2 only when Item 3A is used.

**B. Fill, Void or Cavity Material\* - Wrap Strip** — Layers of nom 1/4 in. (6 mm) thick by 2 in. (51 mm) wide intumescent wrap strip individually wrapped around the outer circumference of the pipe such that wrap strip is flush with both surfaces of wall. Butted ends in successive layers shall be offset. Wrap strip secured with tape, wire or tie wire. Three layers are to be used for nom 4 in. (102 mm) diam pipe two layers for nom 3 in. (76 mm) diam Pipe and one layer for nom 2 in. (51 mm) diam pipe

**RELIANCE WORLDWIDE CORPORATION DBA HOLDRITE HYDROFLAME** — HydroFlame Wrap Strip

**C. Steel Collar** — Collar fabricated from coils of precut min 0.016 in. thick (No. 28 gauge) galv steel available from fill material manufacturer. Collar shall be nom 2 in. (51 mm) deep with 1 in. (25 mm) wide by 1-1/2 in. (38 mm) long anchor tabs on 4 in. (102 mm) centers to secure to both surfaces of wall. In addition, collar contains retainer tabs, 1/2 in. (13 mm) wide by 3/4 in. (19 mm) long, located opposite the anchor tabs. Collar shall be wrapped over the wrap strip, overlapping min 1 in. The retainer tabs are folded 90 deg towards the pipe to maintain the annular space around the pipe and to retain the wrap strip. Collar secured to both surfaces of wall at each anchor tab by means of 3/16 in. diam by 3 in. (5 by 76 mm) long steel hollow wall anchors in conjunction with 1/4 in. by 5/8 in. (6 by 16 mm) diam washers.

**D. Firestop Device\*** — (As an alternate to Items 3B and 3C) Galv steel collar lined with an intumescent material sized to fit specific diam of the through penetrant. Device to be installed around through penetrant in accordance with accompanying installation instructions. Device incorporates anchor tabs for securement to both surfaces of the wall by means of 3/16 in. diam by 3 in. (5 by 76 mm) long steel hollow wall anchors.

**RELIANCE WORLDWIDE CORPORATION DBA HOLDRITE HYDROFLAME** — HydroFlame Pipe Collar

**\* Indicates such products shall bear the UL or cUL Certification Mark for jurisdictions employing the UL or cUL Certification (such as Canada), respectively.**

++Bearing the UL Listing Mark

Last Updated on 2019-01-10

---

**Design/System/Construction/Assembly Usage Disclaimer**

- Authorities Having Jurisdiction should be consulted in all cases as to the particular requirements covering the installation and use of UL Certified products, equipment, system, devices, and materials.
- Authorities Having Jurisdiction should be consulted before construction.
- Fire resistance assemblies and products are developed by the design submitter and have been investigated by UL for compliance with applicable requirements. The published information cannot always address every construction nuance encountered in the field.
- When field issues arise, it is recommended the first contact for assistance be the technical service staff provided by the product manufacturer noted for the design. Users of fire resistance assemblies are advised to consult the general Guide Information for each product category and each group of assemblies. The Guide Information includes specifics concerning alternate materials and alternate methods of construction.
- Only products which bear UL's Mark are considered Certified.

---

The appearance of a company's name or product in this database does not in itself assure that products so identified have been manufactured under UL's Follow-Up Service. Only those products bearing the UL Mark should be considered to be Certified and covered under UL's Follow-Up Service. Always look for the Mark on the product.

UL permits the reproduction of the material contained in the Online Certification Directory subject to the following conditions: 1. The Guide Information, Assemblies, Constructions, Designs, Systems, and/or Certifications (files) must be presented in their entirety and in a non-misleading manner, without any manipulation of the data (or drawings). 2. The statement "Reprinted from the Online Certifications Directory with permission from UL" must appear adjacent to the extracted material. In addition, the reprinted material must include a copyright notice in the following format: "© 2019 UL LLC".