

# THROUGH-PENETRATION FIRESTOP SYSTEM

[Assembly Usage Disclaimer](#)

## Search Parameters

Manufacturer

Holdrite

## XHEZ - Through-penetration Firestop Systems

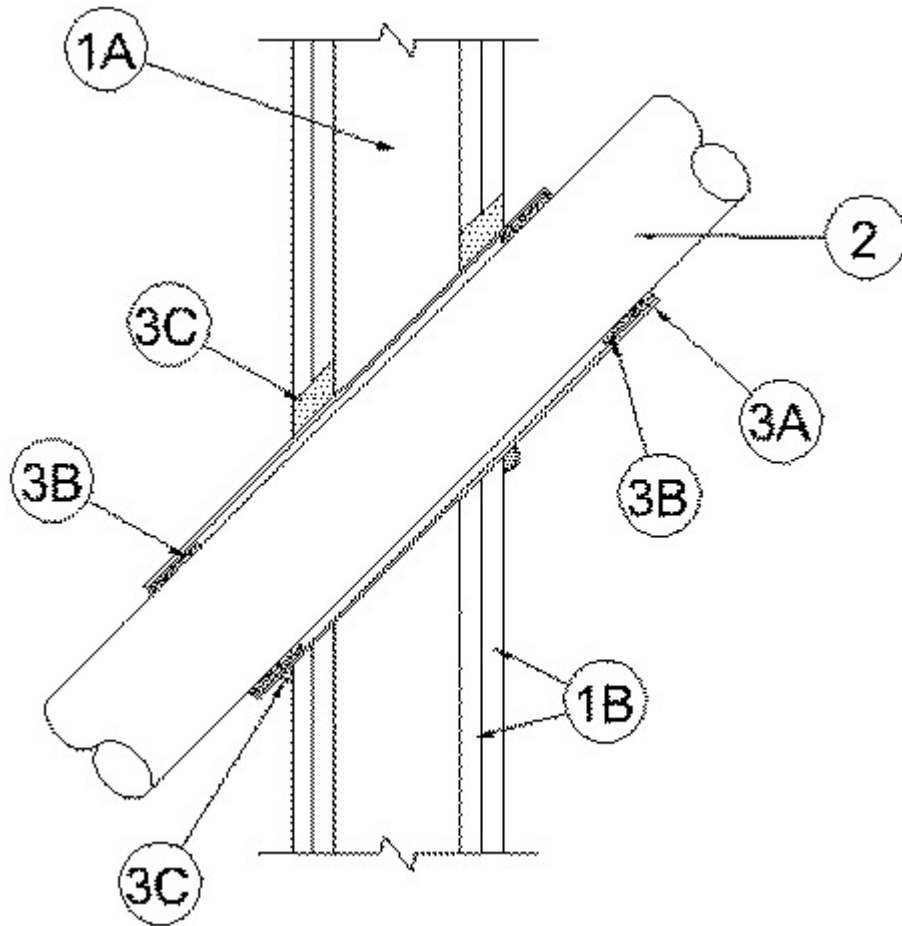
[See General Information for Through-penetration Firestop Systems](#)

### System No. W-L-2722

January 30, 2019

**F Ratings — 1 and 2 Hr (See Item 1)**

**T Rating — 1/2 Hr**



**1. Wall Assembly** — The 1 and 2 hr fire rated gypsum board/stud wall assembly shall be constructed of the materials and in the manner specified in the individual U300 or U400 Series Wall and Partition Designs in the UL Fire Resistance Directory and shall include the following construction features:

**A. Studs** — Wall framing may consist of either wood studs or steel channel studs. Wood studs to consist of nom 2 by 4 in. (51 by 102 mm) lumber spaced 16 in. (406 mm) OC. Steel studs to be min 3-1/2 in. (89 mm) wide and spaced max 24 in. (610 mm) OC.

**B. Gypsum Board\*** — Thickness, type, number of layers and fasteners as specified in the individual Wall and Partition Design. Diam of opening is max 6 in. (152 mm)

**2. Through Penetrants** — One nonmetallic pipe or conduit to be installed either concentrically or eccentrically within the firestop system. The annular space between penetrant and periphery of opening shall be 1/2 to 1 in. (13 mm to 25 mm). The penetrant may be installed at an angle not greater than 45 degrees from perpendicular. Penetrant to be rigidly supported on both sides of wall assembly. The following types and sizes of nonmetallic pipes or conduits may be used:

**A. Polyvinyl Chloride (PVC) Pipe** — Nom 4 in. (102 mm) diam (or smaller) Schedule 40 cellular core or solid core PVC pipe for use in closed (process or supply) or vented (drain, waste or vent) piping systems.

**B. Chlorinated Polyvinyl Chloride (CPVC) Pipe** — Nom 4 in. (102 mm) diam (or smaller) SDR 13.5 CPVC pipe for use in closed (process or supply) piping systems.

**C. Rigid Non Metallic Conduit+** — Nom 4 in. (102 mm) diam (or smaller) Schedule 40 PVC conduit installed in accordance with Article 347 of the National Electrical Code (NFPA No. 70).

**D. Acrylonitrile Butadiene Styrene (ABS) Pipe** — Nom 4 in. (102 mm) diam (or smaller) Schedule 40 solid or cellular core ABS pipe for use in closed (process or supply) or vented (drain, waste or vent) piping system.

**3. Firestop System** — The firestop system shall consist of the following:

**A. Metallic Sleeve** — Cylindrical sleeve fabricated from min 0.016 in. (.41 mm) thick (28 gauge) galv sheet steel and having a min 1 in. (25 mm) lap along the longitudinal seam. Sleeve to extend a min of 1-1/2 in. (38 mm) to a max 2 in. (51 mm) beyond both sides of the wall. The inside diam of the sleeve shall be 1 in. (25 mm) larger than outside diam. of nonmetallic pipe or conduit such that an annular space will be present between the steel sleeve and the pipe around the entire circumference of the pipe to accommodate the layers of wrap strips (Item 3B). The annular space between the outside of the wrap strip layer(s) and the inside of the sleeve shall be 1/2 in. (13 mm). The annular space between the outside of the sleeve and the periphery of the opening shall be min 0 in. (0 mm) (point contact) to max 1/2 in. (13 mm)

**B. Fill, Void or Cavity Materials\* - Wrap Strip** — Nom 1/4 in. (6 mm) thick by 1 in. (25 mm) wide intumescent strips. Two layers of wrap strips are individually wrapped tightly around penetrant with the ends butted and held in place with duct tape. Butted ends in successive layers shall be offset. Layers of wrap strip to be recessed into sleeve on both sides of wall such that the outer edges of wrap strips are flush with the outer edges of the sleeve. A min 1/2 in. (13 mm) wide stainless steel hose clamp shall be secured around the outside of the sleeve over the center of the wrap strips on both ends of the sleeve.

**RELIANCE WORLDWIDE CORPORATION DBA HOLDRITE  
HYDROFLAME** — HydroFlame Wrap Strip

**C. Fill, Void or Cavity Materials\* - Caulk** — Min 5/8 (16 mm) and 1-1/4 in. (32 mm) thickness of caulk applied within annulus between metallic sleeve and periphery of the opening, flush with both surfaces of wall assembly for 1 and 2 Hr rated assemblies, respectively. Min 1/2 in. (13 mm) diam. bead of caulk shall be applied at the sleeve/gypsum board interface at the point contact location on both surfaces of wall assembly.

**RELIANCE WORLDWIDE CORPORATION DBA HOLDRITE  
HYDROFLAME — HydroFlame 200**

**\* Indicates such products shall bear the UL or cUL Certification Mark for jurisdictions employing the UL or cUL Certification (such as Canada), respectively.**

Last Updated on 2019-01-30

---

**Design/System/Construction/Assembly Usage Disclaimer**

- Authorities Having Jurisdiction should be consulted in all cases as to the particular requirements covering the installation and use of UL Certified products, equipment, system, devices, and materials.
- Authorities Having Jurisdiction should be consulted before construction.
- Fire resistance assemblies and products are developed by the design submitter and have been investigated by UL for compliance with applicable requirements. The published information cannot always address every construction nuance encountered in the field.
- When field issues arise, it is recommended the first contact for assistance be the technical service staff provided by the product manufacturer noted for the design. Users of fire resistance assemblies are advised to consult the general Guide Information for each product category and each group of assemblies. The Guide Information includes specifics concerning alternate materials and alternate methods of construction.
- Only products which bear UL's Mark are considered Certified.

---

The appearance of a company's name or product in this database does not in itself assure that products so identified have been manufactured under UL's Follow-Up Service. Only those products bearing the UL Mark should be considered to be Certified and covered under UL's Follow-Up Service. Always look for the Mark on the product.

UL permits the reproduction of the material contained in the Online Certification Directory subject to the following conditions: 1. The Guide Information, Assemblies, Constructions, Designs, Systems, and/or Certifications (files) must be presented in their entirety and in a non-misleading manner, without any manipulation of the data (or drawings). 2. The statement "Reprinted from the Online Certifications Directory with permission from UL" must appear adjacent to the extracted material. In addition, the reprinted material must include a copyright notice in the following format: "© 2019 UL LLC".