

THROUGH-PENETRATION FIRESTOP SYSTEM

[Assembly Usage Disclaimer](#)

Search Parameters

Manufacturer

Holdrite

XHEZ - Through-penetration Firestop Systems

[See General Information for Through-penetration Firestop Systems](#)

System No. W-L-2724

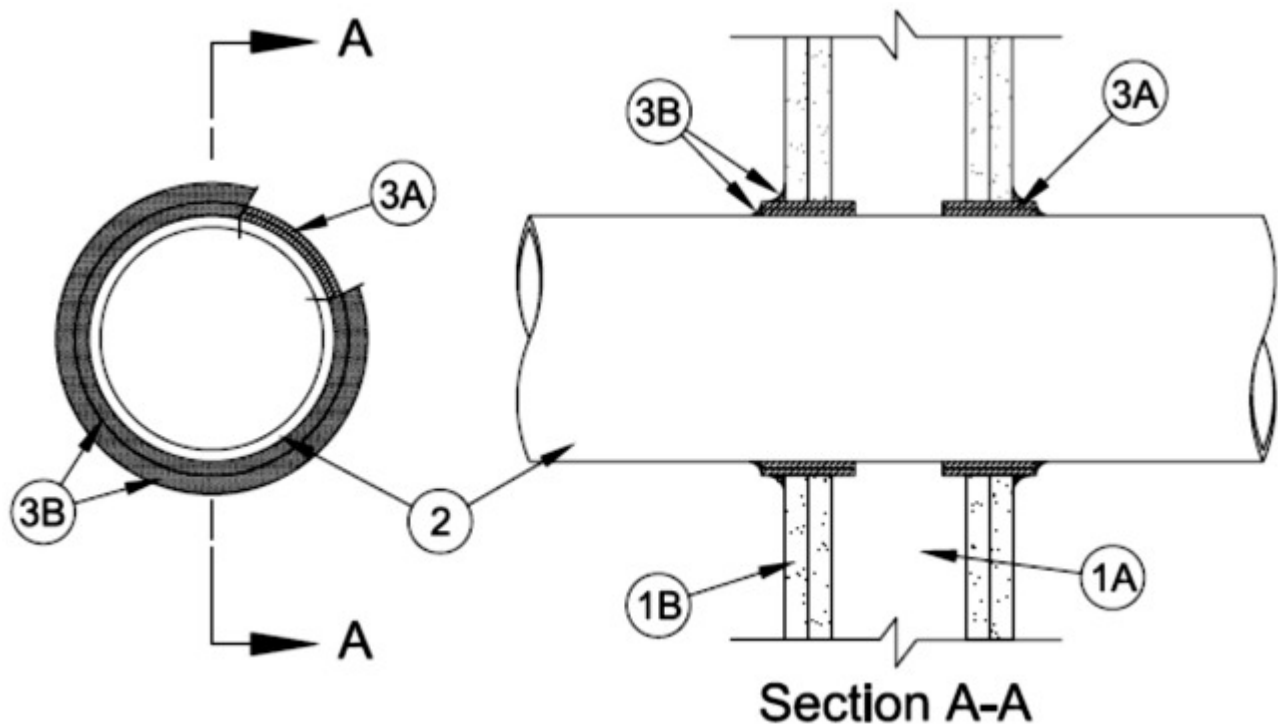
January 30, 2019

F Ratings — 1 and 2 Hr (See Item 1)

T Ratings — 0 and 2 Hr (See Item 1)

L Rating at Ambient — Less than 1 CFM/ft³

L Rating at 400° F — Less than 1 CFM/ft³



1. **Wall Assembly** — The 1 or 2 h fire rated gypsum board/stud wall assembly shall be constructed of the materials and in the manner specified in the individual U300, U400 or V400 Series Wall and Partition Designs in the UL Fire Resistance Directory and shall include the following construction features:

A. **Gypsum Board** — Min 5/8 in. (16 mm) thick. The gypsum board type, thickness, number of layers and orientation shall be as specified in the individual U300, U400 or V400 Wall and Partition Design. Max diam of opening is 5 in. (127 mm).

B. **Studs** — Wall framing shall consist of either wood or steel channel studs. Wood studs to consist of nom 2 by 4 in. (51 by 102 mm) lumber spaced 16 in. (406 mm) OC. Steel studs to be min 3-1/2 in. (89 mm) wide and spaced max 24 in. (610 mm) OC.

The hourly F Rating of the firestop system is equal to the hourly fire rating of the wall assembly in which it is installed. The hourly T Rating is 0 hr or 2 hr for 1 or 2 hr fire rated constructions, respectively.

2. **Through Penetrant** — One nonmetallic pipe or tube to be installed eccentrically or concentrically within the firestop system. Annular space to be min 1/4 in. (6 mm) to max 1-1/4 in. (32 mm). Pipe or tube to be rigidly supported on both sides of the wall assembly. The following types and sizes of nonmetallic pipes and tubes may be used:

A. **Polyvinyl Chloride (PVC) Pipe** — Nom 3 in. (76 mm) diam (or smaller) Schedule 40 (or heavier) solid core or cellular core PVC pipe for use in closed (process or supply) or vented (drain, waste or vent) piping systems.

3. **Firestop System** — The firestop system shall consist of the following:

A. Fill, Void or Cavity Material* - Wrap Strip — One layer of nom 1/4 in. (6 mm) thick by 2 in. (51 mm) wide intumescent wrap strip wrapped around the outer circumference of the pipe and slid into the annular space such that wrap strip protrudes 1/4 in. (6 mm) from both surfaces of wall. Wrap strip secured with tape or tie wire.
RELIANCE WORLDWIDE CORPORATION DBA HOLDRITE HYDROFLAME — HydroFlame Wrap Strip

B. Fill, Void or Cavity Material* - Sealant — Min 1/2 in. (13 mm) crown bead of fill material applied at the pipe/wrap strip interface. Min 1/2 in. (13 mm) depth of sealant to be placed within any annular spaces between the wrap strip and the periphery of opening.
RELIANCE WORLDWIDE CORPORATION DBA HOLDRITE HYDROFLAME — HydroFlame 200

*** Indicates such products shall bear the UL or cUL Certification Mark for jurisdictions employing the UL or cUL Certification (such as Canada), respectively.**

Last Updated on 2019-01-30

Design/System/Construction/Assembly Usage Disclaimer

- Authorities Having Jurisdiction should be consulted in all cases as to the particular requirements covering the installation and use of UL Certified products, equipment, system, devices, and materials.
- Authorities Having Jurisdiction should be consulted before construction.
- Fire resistance assemblies and products are developed by the design submitter and have been investigated by UL for compliance with applicable requirements. The published information cannot always address every construction nuance encountered in the field.
- When field issues arise, it is recommended the first contact for assistance be the technical service staff provided by the product manufacturer noted for the design. Users of fire resistance assemblies are advised to consult the general Guide Information for each product category and each group of assemblies. The Guide Information includes specifics concerning alternate materials and alternate methods of construction.
- Only products which bear UL's Mark are considered Certified.

The appearance of a company's name or product in this database does not in itself assure that products so identified have been manufactured under UL's Follow-Up Service. Only those products bearing the UL Mark should be considered to be Certified and covered under UL's Follow-Up Service. Always look for the Mark on the product.

UL permits the reproduction of the material contained in the Online Certification Directory subject to the following conditions: 1. The Guide Information, Assemblies, Constructions, Designs, Systems, and/or Certifications (files) must be presented in their entirety and in a non-misleading manner,

without any manipulation of the data (or drawings). 2. The statement "Reprinted from the Online Certifications Directory with permission from UL" must appear adjacent to the extracted material. In addition, the reprinted material must include a copyright notice in the following format: "© 2019 UL LLC".

UL and the UL logo are trademarks of UL LLC © 2019 All Rights Reserved.