

# THROUGH-PENETRATION FIRESTOP SYSTEM

Assembly Usage Disclaimer

## Search Parameters

Manufacturer

Holdrite

## XHEZ - Through-penetration Firestop Systems

### XHEZ7 - Through-penetration Firestop Systems Certified for Canada

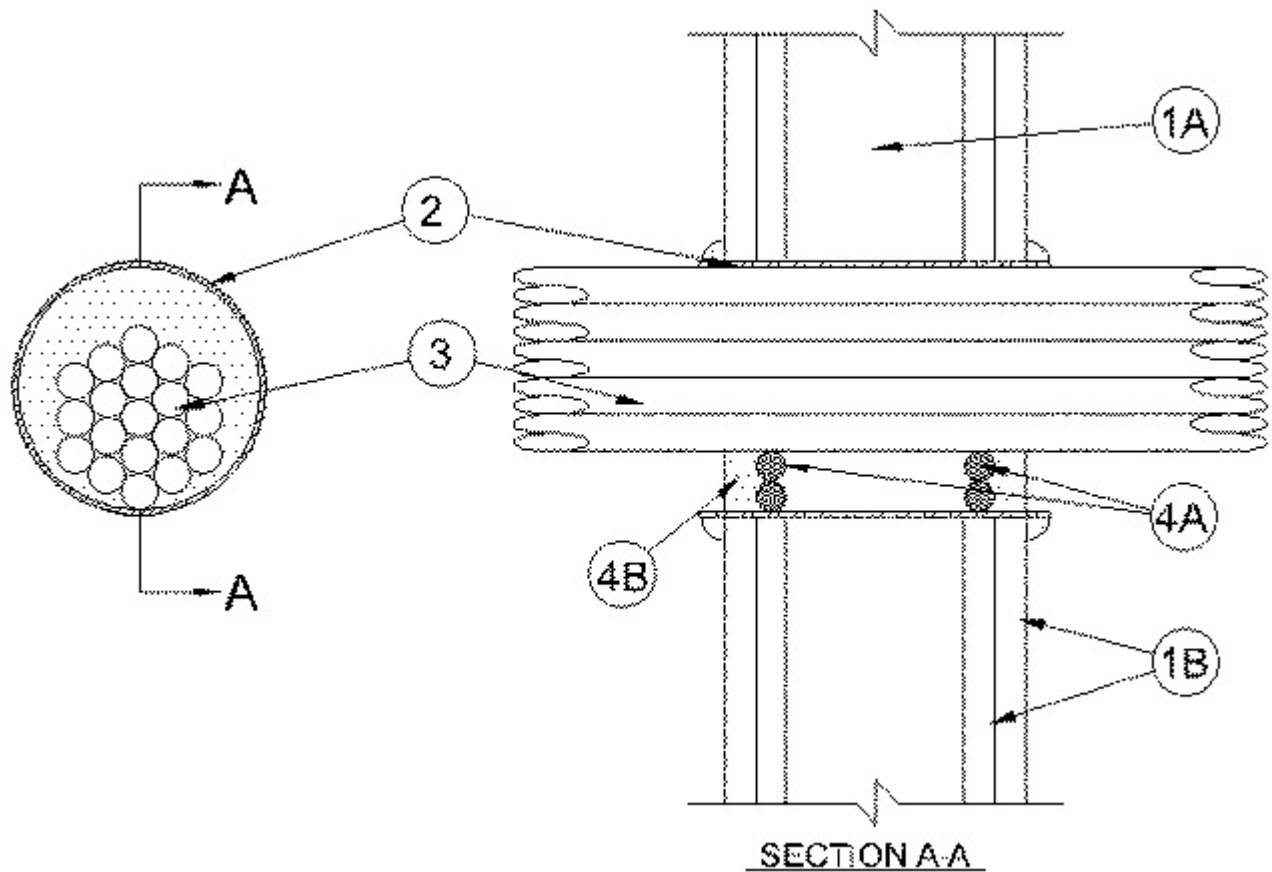
[See General Information for Through-penetration Firestop Systems](#)

[See General Information for Through-penetration Firestop Systems Certified for Canada](#)

### System No. W-L-3455

February 01, 2019

<b>ANSI/UL1479 (ASTM E814)</b>	<b>CAN/ULC S115</b>
F Ratings — 1 and 2 Hr (See Item 1)	F Ratings — 1 and 2 Hr (See Item 1)
T Ratings — 0 and 1/2 Hr (See Items 1 and 2)	FT Ratings — 0 and 1/2 Hr (See Items 1 and 2)
	FH Ratings — 1 and 2 Hr (See Item 1)Hr
	FTH Ratings — 0 and 1/2 Hr (See Items 1 and 2)



**1. Wall Assembly** — The 1 or 2 hr fire-rated gypsum board/stud wall assembly shall be constructed of the materials and in the manner specified in the individual U300, U400, V400 or W400 Series Wall and Partition Designs in the UL Fire Resistance Directory and shall include the following construction features:

**A. Studs** — Wall framing may consist of either wood studs or steel channel studs. Wood studs to consist of nom 2 by 4 in. (51 by 102 mm) lumber spaced 16 in. (406 mm) OC. Steel studs to be min 3-1/2 in. (89 mm) wide and spaced max 24 in. (610 mm) OC.

**B. Gypsum Board\*** — One or two layers of nom 5/8 in. (16 mm) thick gypsum board as specified in the individual Wall and Partition Design. Max diam of opening is 4 in. (102 mm).

**The hourly F and FH Ratings of the firestop system are equal to the hourly fire rating of the wall assembly. The T, FT and FTH Rating is 0 and 1/2 for 1 and 2 Hr assemblies, respectively.**

**2. Steel Sleeve** — (Optional) — Max 4 in. (102 mm) diam sleeve fabricated from min 0.018 in. (0.46 mm) thick (28 gauge) galv sheet steel and floor or wall assembly, inserted opening and allowed to uncoil against the circular cutouts. Sleeve to be installed flush with or extending max 1 in. (25 mm) beyond each surface of the wall assembly.

**2A. Steel Sleeve** — (Optional) - As an alternate to Item 2, max 4 in. (102 mm) Schedule 5 (or heavier) steel pipe, rigid steel conduit or EMT, friction-fit into wall assembly, flush with or extending a max 4 in. (102 mm) beyond each surface of the floor or wall assembly.

**When steel sleeve is used, T, FT and FTH Ratings are 0 hr.**

**3. Cables** — Aggregate cross-sectional area of cables to be min 25 percent to max 64 percent of the aggregate cross-sectional area of the opening. Cables to be tightly bundled and rigidly supported on both sides of wall assembly. The annular space between the cables and the periphery of opening shall be min 0 in. (point contact) to max 2 in. (51 mm). Any combination of following types and sizes of copper conductor cables may be used:

A. Max 2/C with ground, No. 12 AWG MC (BX) cable with polyvinyl chloride (PVC) insulation on conductors inside a steel armored jacket.

B. Max 3/C with ground, No. 12 AWG (or smaller) nonmetallic sheathed (Romex) cable with copper conductors, PVC insulation and jacket.

C. Max 8/C No. 12 AWG (or smaller) Type SOW-A P-123-70-MSHA.

D. Max 25 pair, No. 24 AWG (or smaller) copper conductor telephone cable with XLPE/PVC insulation, with or without PVC jacket.

E. Max RG6 (or smaller) television coaxial cable CATVX.

F. Max 4 pair, No. 24 AWG (or smaller) copper conductor data cable with Hylar insulation and jacketing.

G. Max 1/C, No. 18 AWG (or smaller) Type MTW or THHN or THWN or gas & oil res II 600V (UL) or AWM VW-1 power cable.

H. Max 1/C, No. 14 AWG (or smaller) Type MTW or THHN or THWN or gas & oil res II 600V (UL) or AWM VW-1 power cable.

I. Max 1/C, No. 10 AWG (or smaller) Type THHN or THWN gasoline & oil resistant II 600V VW-1 E116364 (UL) power cable.

J. Optical Fiber Cable max 62.5/125 Type UFNR.

K. Max 3/C, No. 4/0 with ground, AWG aluminum Triple E Alloy AA8176 Type SE cable Style U Type XHH-W-2 CDRS E32071 (UL) service entrance cable.

L. Max 3/C, No. 18 AWG with ground and shield E120910.

**4. Firestop System** — The firestop system shall consist of the following:

A. **Fill, Void or Cavity Material\* - Caulk** — Min 1/2 in. (13 mm) thickness of fill material applied within the annulus, flush with both surfaces of wall. When steel sleeve is not used or when steel sleeve is flush with the wall surfaces, a min 1/4 in. (6 mm) diam bead of caulk shall be applied at interface of cables and periphery

of opening at point contact location on both surfaces of wall. When steel sleeve is used, a bead of caulk is applied to the steel sleeve/gypsum board interface on both sides of wall. When sheet metal sleeve (Item 2) is used, fill material to be installed flush with both surfaces of wall within the sleeve. When rigid steel sleeve (Item 2A) is used, fill material may be installed flush with both ends of sleeve in walls.

**RELIANCE WORLDWIDE CORPORATION DBA HOLDRITE  
HYDROFLAME — HydroFlame 100, HydroFlame 200**

**\* Indicates such products shall bear the UL or cUL Certification Mark for jurisdictions employing the UL or cUL Certification (such as Canada), respectively.**

Last Updated on 2019-02-01

---

### **Design/System/Construction/Assembly Usage Disclaimer**

- Authorities Having Jurisdiction should be consulted in all cases as to the particular requirements covering the installation and use of UL Certified products, equipment, system, devices, and materials.
- Authorities Having Jurisdiction should be consulted before construction.
- Fire resistance assemblies and products are developed by the design submitter and have been investigated by UL for compliance with applicable requirements. The published information cannot always address every construction nuance encountered in the field.
- When field issues arise, it is recommended the first contact for assistance be the technical service staff provided by the product manufacturer noted for the design. Users of fire resistance assemblies are advised to consult the general Guide Information for each product category and each group of assemblies. The Guide Information includes specifics concerning alternate materials and alternate methods of construction.
- Only products which bear UL's Mark are considered Certified.

---

The appearance of a company's name or product in this database does not in itself assure that products so identified have been manufactured under UL's Follow-Up Service. Only those products bearing the UL Mark should be considered to be Certified and covered under UL's Follow-Up Service. Always look for the Mark on the product.

UL permits the reproduction of the material contained in the Online Certification Directory subject to the following conditions: 1. The Guide Information, Assemblies, Constructions, Designs, Systems, and/or Certifications (files) must be presented in their entirety and in a non-misleading manner, without any manipulation of the data (or drawings). 2. The statement "Reprinted from the Online Certifications Directory with permission from UL" must appear adjacent to the extracted material. In addition, the reprinted material must include a copyright notice in the following format: "© 2019 UL LLC".

