

THROUGH-PENETRATION FIRESTOP SYSTEM

Assembly Usage Disclaimer

Search Parameters

Manufacturer

Holdrite

XHEZ - Through-penetration Firestop Systems

XHEZ7 - Through-penetration Firestop Systems Certified for Canada

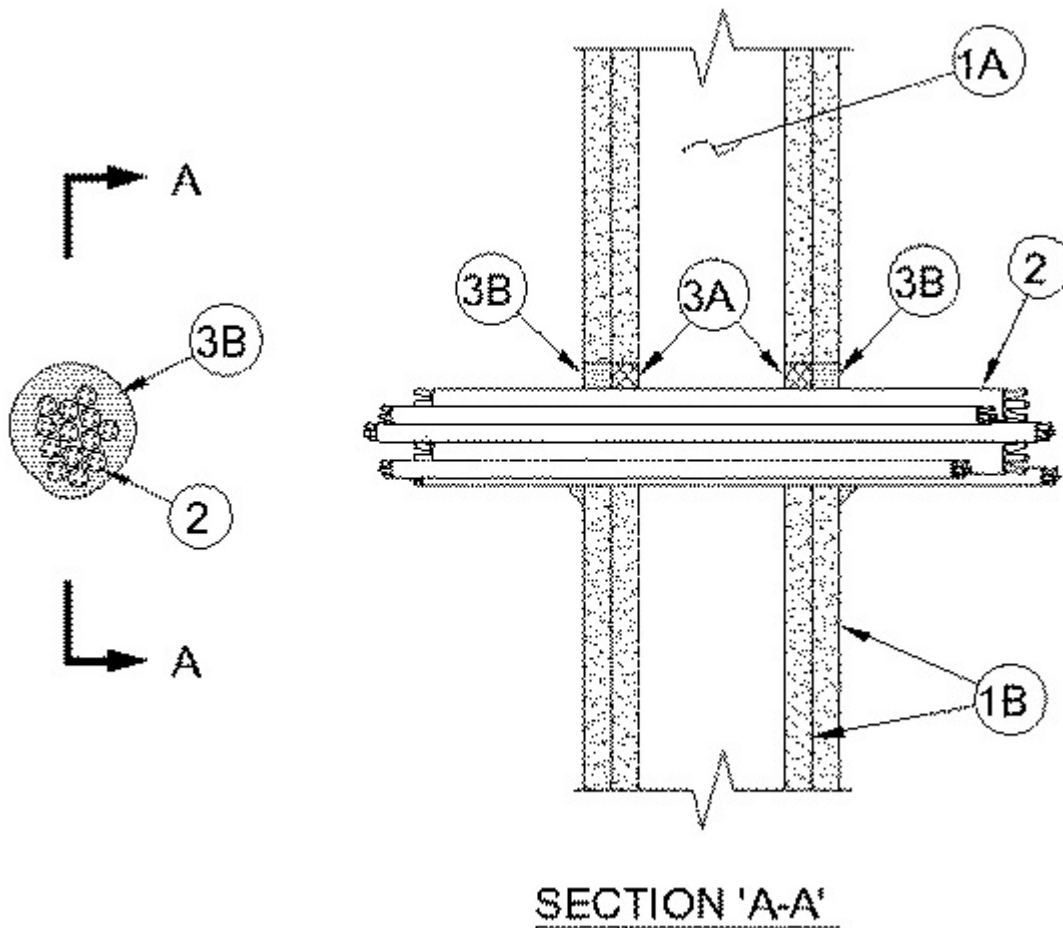
[See General Information for Through-penetration Firestop Systems](#)

[See General Information for Through-penetration Firestop Systems Certified for Canada](#)

System No. W-L-3456

February 11, 2019

ANSI/UL1479 (ASTM E814)	CAN/ULC S115
F Ratings - 1 and 2 Hr (See Item 1)	F Ratings - 1 and 2 Hr (See Item 1)
T Ratings - 1/2 and 1 Hr (See Item 1)	FT Ratings - 1/2 and 1 Hr (See Item 1)
L Rating At Ambient - Less Than 1 CFM/sq ft (See Item 3)	FH Ratings - 1 and 2 Hr (See Item 1)
L Rating At 400°F - Less Than 1 CFM/sq ft (See Item 3)	FTH Ratings - 1/2 and 1 Hr (See Item 1)
	L Rating At Ambient - Less Than 1 CFM/sq ft (See Item 3)
	L Rating At 400°F - Less Than 1 CFM/sq ft (See Item 3)



1. **Wall Assembly** — The 1 or 2 hr fire-rated gypsum board/stud wall assembly shall be constructed of the materials and in the manner specified in the individual U300, U400 or V400 Series Wall and Partition Designs in the UL Fire Resistance Directory and shall include the following construction features:

A. **Studs** — Wall framing may consist of either wood studs or steel channel studs. Wood studs to consist of nom 2 by 4 in. (51 by 102 mm) lumber spaced 16 in. (406 mm) OC. Steel studs to be min 3-5/8 in. (92 mm) wide and spaced max 24 in. (610 mm) OC.

B. **Gypsum Board*** — One or two layers of nom 5/8 in. (16 mm) thick gypsum board as specified in the individual Wall and Partition Design. Max diam of opening is 5 in. (127 mm).

The hourly F Rating of the firestop system is equal to the hourly fire rating of the wall assembly. The hourly T Rating is 1/2 and 1 Hr for 1 and 2 Hr rated assemblies, respectively.

2. **Cables** — Aggregate cross-sectional area of cables to be max 64 percent of the cross-sectional area of the opening. Cables to be tightly bundled and rigidly supported on both sides of wall assembly. The annular space between the cables and the periphery of opening shall be min 0 in. (point contact) to max 1-1/4 in. (32 mm). Any combination of following types and sizes of copper conductor cables may be used:

- A. Max 3/C with ground, No. 12 AWG (or smaller) nonmetallic sheathed (Romex) cable with copper conductors, PVC insulation and jacket.
- B. Max 1/C No. 350 kcmil (or smaller) copper conductor cable with cross-linked polyethylene (XLPE) jacket.
- C. Max 7/C No. 12 AWG (or smaller) copper conductor power and control cables with XLPE or PVC insulation with XLPE or PVC jacket.
- D. Max 400 pair No. 24 AWG copper telephone cables, with Polyvinyl Chloride (PVC) insulation and jacket.
- E. Max 4/C No. 2/0 (or smaller) aluminum or copper conductor, aluminum or steel jacketed metal-clad or armored-clad cable.
- F. Max RG/6 No. 18 AWG Type CATV copper conductor coaxial cable with Polyvinyl Chloride (PVC) insulation and jacket.
- G. Max 3/C No. 2/0 AWG (or smaller) copper or aluminum conductor SER cables with PVC insulation and jacket.
- H. Max RG59/U (or smaller) television coaxial cable with fluorinated ethylene insulation and jacketing.
- I. Max 62.5/125 micron fiber optic cables with PVC insulation and jacket.

3. Firestop System — The firestop system shall consist of the following:

A. **Packing Material** — (Optional) — Mineral wool or fiberglass insulation or foam backer rod compressed and firmly packed into annular space from each end of opening and recessed 5/8 in. (16 mm) from each wall surface.

B. **Fill, Void or Cavity Material* - Sealant** — Min 5/8 in. (16 mm) thickness of fill material applied within the annulus, flush with both surfaces of wall. At point contact location, 1/2 in. (13 mm) diam bead of sealant applied at interface of cables and periphery of opening on both surfaces of wall. The fill material to be applied within the interstices of the cables to max extent possible for the L Ratings to apply.

**RELIANCE WORLDWIDE CORPORATION DBA HOLDRITE
HYDROFLAME** — HydroFlame 100

* Indicates such products shall bear the UL or cUL Certification Mark for jurisdictions employing the UL or cUL Certification (such as Canada), respectively.

Design/System/Construction/Assembly Usage Disclaimer

- Authorities Having Jurisdiction should be consulted in all cases as to the particular requirements covering the installation and use of UL Certified products, equipment, system, devices, and materials.
- Authorities Having Jurisdiction should be consulted before construction.
- Fire resistance assemblies and products are developed by the design submitter and have been investigated by UL for compliance with applicable requirements. The published information cannot always address every construction nuance encountered in the field.
- When field issues arise, it is recommended the first contact for assistance be the technical service staff provided by the product manufacturer noted for the design. Users of fire resistance assemblies are advised to consult the general Guide Information for each product category and each group of assemblies. The Guide Information includes specifics concerning alternate materials and alternate methods of construction.
- Only products which bear UL's Mark are considered Certified.

The appearance of a company's name or product in this database does not in itself assure that products so identified have been manufactured under UL's Follow-Up Service. Only those products bearing the UL Mark should be considered to be Certified and covered under UL's Follow-Up Service. Always look for the Mark on the product.

UL permits the reproduction of the material contained in the Online Certification Directory subject to the following conditions: 1. The Guide Information, Assemblies, Constructions, Designs, Systems, and/or Certifications (files) must be presented in their entirety and in a non-misleading manner, without any manipulation of the data (or drawings). 2. The statement "Reprinted from the Online Certifications Directory with permission from UL" must appear adjacent to the extracted material. In addition, the reprinted material must include a copyright notice in the following format: "© 2019 UL LLC".

UL and the UL logo are trademarks of UL LLC © 2019 All Rights Reserved.