

THROUGH-PENETRATION FIRESTOP SYSTEM

[Assembly Usage Disclaimer](#)

Search Parameters

Manufacturer

Holdrite

XHEZ - Through-penetration Firestop Systems

XHEZ7 - Through-penetration Firestop Systems Certified for Canada

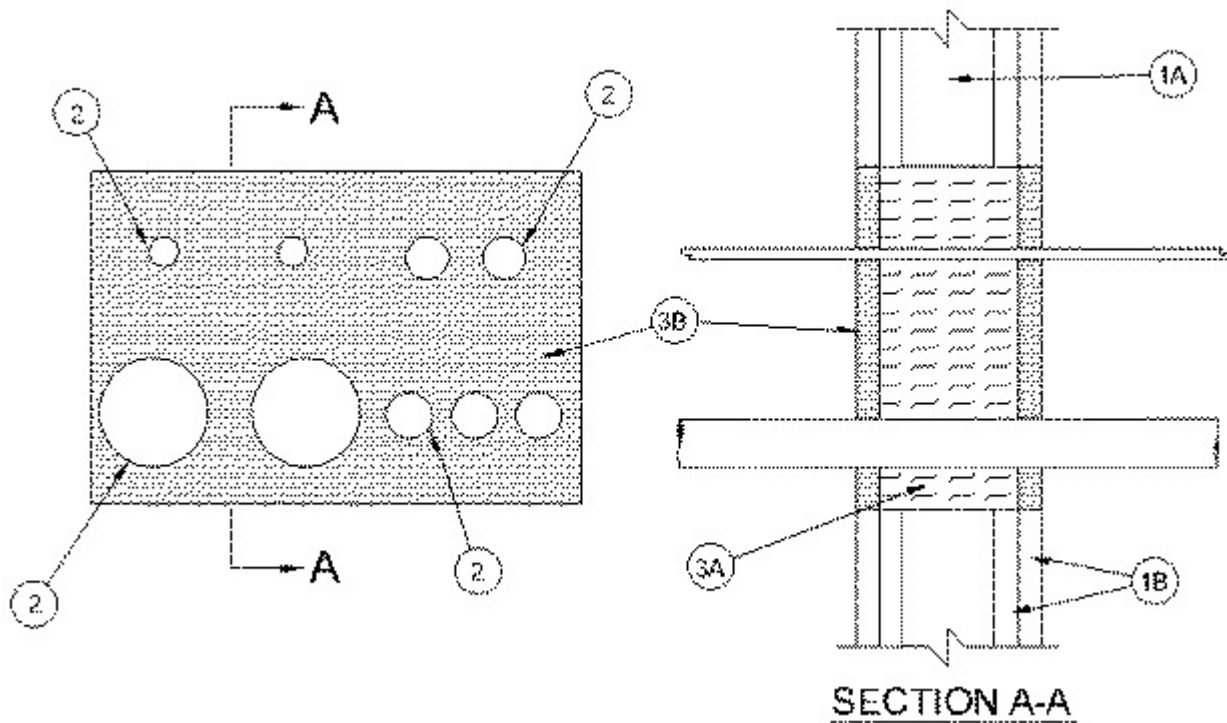
[See General Information for Through-penetration Firestop Systems](#)

[See General Information for Through-penetration Firestop Systems Certified for Canada](#)

System No. W-L-8118

February 15, 2019

ANSI/UL1479 (ASTM E814)	CAN/ULC S115
F Ratings — 1 and 2 Hr (See Item 1)	F Ratings — 1 and 2 Hr (See Item 1)
T Ratings — 0, 1/4, 1/2 or 3/4 Hr (See Items 1A and 2)	FT Ratings — 1 and 1-3/4 Hr (See Items 2 and 3)
	FH Ratings — 1 and 2 Hr (See Item 1)
	FTH Ratings — 1 and 1-3/4 Hr (See Items 2 and 3)



1. Wall Assembly — The 1 or 2 hr fire-rated gypsum board/stud wall assembly shall be constructed of the materials and in the manner specified in the individual U300, U400, V400 or W400 Series Wall and Partition Designs in the UL Fire Resistance Directory and shall include the following construction features:

A. Studs — Wall framing shall consist of either wood or steel channel studs. Wood studs to consist of nom 2 by 4 in. (51 by 102 mm) lumber spaced 16 in. (406 mm) OC. Steel studs to be min 3-1/2 in. (89 mm) deep and spaced max 24 in. (610 mm) OC. Framing of the opening shall consist of steel channel studs.

B. Gypsum Board * — The gypsum board type, thickness, number of layers and orientation shall be as specified in the individual Wall and Partition Design. Max area of opening is 200 sq in. (1290 cm²) with a max dimension of 20 in. (508 mm).

The hourly F and FH Ratings of the firestop system are equal to the hourly fire rating of the wall assembly in which it is installed.

1A. Steel Sleeve — (Optional, not shown) - Max 16 in. (406 mm) by 6 in. (102 mm) 24 gauge (or heavier) galvanized steel with min 1 in. (25 mm) flanges. Sleeve to be installed flush with both surfaces of wall and secured to both sides of wall through the flanges with min 1/4 in. (6 mm) diam steel hollow wall anchors in conjunction with steel washers spaced a max 6 in. (152 mm) OC.

When steel sleeve is used, T, FT and FTH Ratings are 0 hr.

2. Through Penetrants — Any combination of the following metallic penetrants to be installed within the firestop system. The annular space between penetrants shall be min 1/4 in. (6 mm) to max 3-1/2 in. (89 mm) and between penetrants and periphery of opening shall be min 1/4 in. (6 mm) to max 2-1/2 in. (64 mm).

Penetrants to be rigidly supported on both sides of floor or wall assembly. The following types and sizes of EMT, metal clad cable or conduits may be used:

A. **Conduit** — Nom 4 in. (102 mm) diam (or smaller) electrical metallic tubing. Max two 4 in. (102 mm) diam conduits and max three 2 in. (102 mm) diam conduits per opening. **When 3 or 4 in. (76 or 102 mm) diam EMT is used, T, FT and FTH Ratings are 1/2 hr. When 2 in. (51 mm) diam (or smaller) EMT is used, T, FT and FTH Ratings are 3/4 hr.**

B. **Metal Clad Cable+** — Nom 2 in. (51 mm) diam (or smaller) 4 conductor 2/0 AWG steel or aluminum **Metal Clad Cable+** with or without PVC jacket. Max two metal clad cables per opening. **When metal clad cable is used, T, FT and FTH Ratings are 1/2 hr.** See **Through-Penetrating Products** (XLHY) category in Vol. 2 of the Fire Resistance Directory for names of manufacturers.

C. **Flexible Metal Conduit** — Nom 1-1/2 in. (38 mm) diam (or smaller) steel or aluminum **Flexible Metal Conduit±**. Max two flexible metal conduits per opening. **When flexible metal conduit is used, T, FT and FTH Ratings are 1/4 hr.** See **Flexible Metal Conduit** (DXUZ) category in the Electrical Construction Materials Directory for names of manufacturers.

3. **Firestop System** — The firestop system shall consist of the following:

A. **Packing Material** — For 1 or 2 hr fire rated walls, min 3-1/2 in. (89 mm) or 4-3/4 in. (121 mm) thickness, respectively, of min 4 pcf (64 kg/m³) mineral wool batt insulation firmly packed into opening as a permanent form. Packing material to be recessed from both surfaces of wall to accommodate the required thickness of fill material.

B. **Fill, Void or Cavity Material* - Caulk** — Min 5/8 in. (16 mm) thickness of fill material applied within the annulus, flush with both surfaces of wall.

**RELIANCE WORLDWIDE CORPORATION DBA HOLDRITE
HYDROFLAME** — HydroFlame 200

* Indicates such products shall bear the UL or cUL Certification Mark for jurisdictions employing the UL or cUL Certification (such as Canada), respectively.

Last Updated on 2019-02-15

Design/System/Construction/Assembly Usage Disclaimer

- Authorities Having Jurisdiction should be consulted in all cases as to the particular requirements covering the installation and use of UL Certified products, equipment, system, devices, and materials.
- Authorities Having Jurisdiction should be consulted before construction.
- Fire resistance assemblies and products are developed by the design submitter and have been investigated by UL for compliance with applicable requirements. The published information cannot always address every construction nuance encountered in the field.
- When field issues arise, it is recommended the first contact for assistance be the technical service staff provided by the product manufacturer noted for the design. Users of fire resistance assemblies are advised to consult the general Guide Information for each product category and each group of assemblies. The Guide Information includes specifics concerning alternate materials and alternate methods of construction.
- Only products which bear UL's Mark are considered Certified.

The appearance of a company's name or product in this database does not in itself assure that products so identified have been manufactured under UL's Follow-Up Service. Only those products bearing the UL Mark should be considered to be Certified and covered under UL's Follow-Up Service. Always look for the Mark on the product.

UL permits the reproduction of the material contained in the Online Certification Directory subject to the following conditions: 1. The Guide Information, Assemblies, Constructions, Designs, Systems, and/or Certifications (files) must be presented in their entirety and in a non-misleading manner, without any manipulation of the data (or drawings). 2. The statement "Reprinted from the Online Certifications Directory with permission from UL" must appear adjacent to the extracted material. In addition, the reprinted material must include a copyright notice in the following format: "© 2019 UL LLC".