

# XHEZ.W-L-1576 - THROUGH-PENETRATION FIRESTOP SYSTEMS

Design/System/Construction/Assembly Usage Disclaimer

- Authorities Having Jurisdiction should be consulted in all cases as to the particular requirements covering the installation and use of UL Certified products, equipment, system, devices, and materials.
- Authorities Having Jurisdiction should be consulted before construction.
- Fire resistance assemblies and products are developed by the design submitter and have been investigated by UL for compliance with applicable requirements. The published information cannot always address every construction nuance encountered in the field.
- When field issues arise, it is recommended the first contact for assistance be the technical service staff provided by the product manufacturer noted for the design. Users of fire resistance assemblies are advised to consult the general Guide Information for each product category and each group of assemblies. The Guide Information includes specifics concerning alternate materials and alternate methods of construction.
- Only products which bear UL's Mark are considered Certified.

## XHEZ - Through-penetration Firestop Systems XHEZ7 - Through-penetration Firestop Systems Certified for Canada

See General Information for Through-penetration Firestop Systems

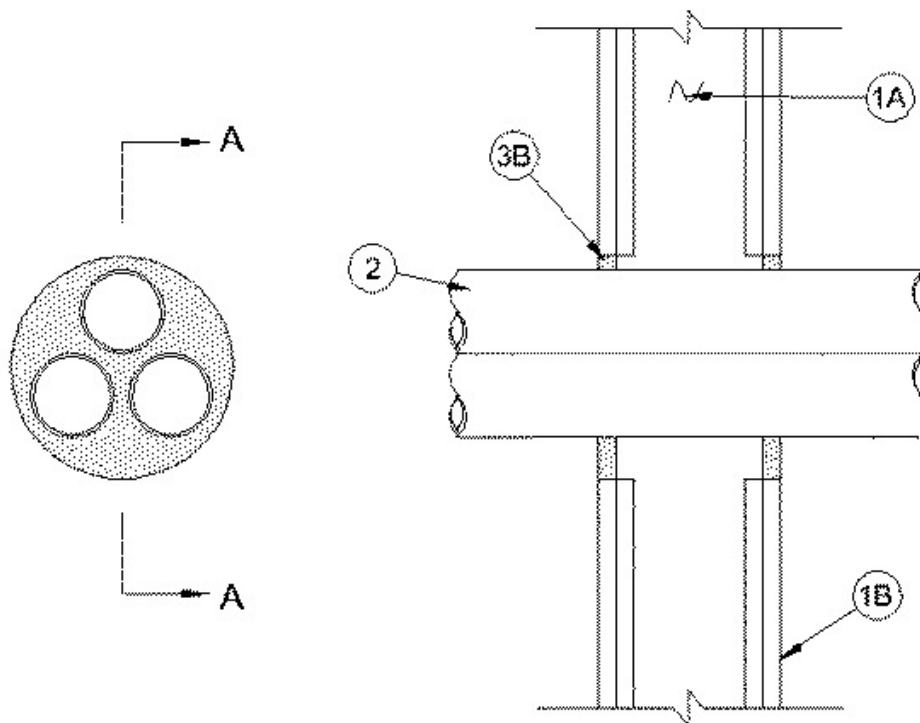
See General Information for Through-penetration Firestop Systems Certified for Canada

### System No. W-L-1576

May 23, 2019

**F Ratings — 1 and 2 Hr (See Item 1)**

**T Rating — 3/4 Hr**



**SECTION A-A**

1. **Wall Assembly** — The 1 or 2 hr fire rated gypsum board/stud wall assembly shall be constructed of the materials and in the manner specified in the individual U300 or U400 Series Wall and Partition Designs in the UL Fire Resistance Directory and shall include the following construction features:

A. **Studs** — Wall framing may consist of either wood studs or steel channel studs. Wood studs to consist of nom 2 by 4 in. (51 by 102 mm) lumber spaced 16 in. (432 mm) OC. Steel channel studs to be min 3-1/2 in. (89 mm) wide and spaced max 24 in. (610 mm) OC.

B. **Gypsum Board\*** — One or two layers of nom 5/8 in. (16 mm) thick gypsum board as specified in the individual Wall and Partition Design. Max diam of opening is 8 in. (203 mm)

**The hourly F Rating of the firestop system is equal to the hourly fire rating of the wall assembly.**

2. **Through Penetrants** — A max of three pipes, conduits or tubes to be installed within the opening. Annular space between the penetrants and the periphery of the opening shall be min 0 in. (0 mm) (point contact) to max 2 in. (51 mm) A min 1/4 in. (6 mm) space must be maintained between penetrants. Penetrants to be rigidly supported on both sides of wall assembly. The following types and sizes of metallic pipes, conduits or tubing may be used:

A. **Steel Pipe** — Nom 3 in. (76 mm) diam (or smaller) Schedule 10 (or heavier) steel pipe.

B. **Iron Pipe** — Nom 3 in. (76 mm) diam (or smaller) Schedule 10 (or heavier) cast iron pipe.

C. **Copper Tubing** — Nom 2 in (51 mm) diam (or smaller) Type L (or heavier) copper tube.

D. **Copper Tubing** — Nom 2 in. (51 mm) diam (or smaller) Regular (or heavier) copper pipe.

E. **Conduit** — Nom 3 in. (76 mm) (or smaller) steel conduit or nom 3 in. (76 mm) diam (or smaller) steel electrical metallic conduit.

3. **Firestop System** — The firestop system shall consist of the following:

A. **Packing Material** — (Optional) — In 2 hr wall assemblies, foam backer rod firmly packed into opening as a permanent form. Packing material to be recessed from each surface of the wall to accommodate the required thickness of fill material.

B. **Fill Void or Cavity Materials\* - Caulk** — Min 5/8 in. (16 mm) thickness of fill material applied within the annulus on both surfaces of the wall assembly. Min 1/2 in. (13 mm) diam bead of caulk shall be applied to the penetrant /gypsum board interface at the point contact location on both sides of wall.

**RELIANCE WORLDWIDE CORPORATION DBA HOLDRITE HYDROFLAME** — HydroFlame 100

**\* Indicates such products shall bear the UL or cUL Certification Mark for jurisdictions employing the UL or cUL Certification (such as Canada), respectively.**

Last Updated on 2019-05-23

---

The appearance of a company's name or product in this database does not in itself assure that products so identified have been manufactured under UL's Follow-Up Service. Only those products bearing the UL Mark should be considered to be Certified and covered under UL's Follow-Up Service. Always look for the Mark on the product.

UL permits the reproduction of the material contained in the Online Certification Directory subject to the following conditions: 1. The Guide Information, Assemblies, Constructions, Designs, Systems, and/or Certifications (files) must be presented in their entirety and in a non-misleading manner, without any manipulation of the data (or drawings). 2. The statement "Reprinted from the Online Certifications Directory with permission from UL" must appear adjacent to the extracted material. In addition, the reprinted material must include a copyright notice in the following format: "© 2019 UL LLC"