

XHEZ.W-L-1577 - THROUGH-PENETRATION FIRESTOP SYSTEMS

Design/System/Construction/Assembly Usage Disclaimer

- Authorities Having Jurisdiction should be consulted in all cases as to the particular requirements covering the installation and use of UL Certified products, equipment, system, devices, and materials.
- Authorities Having Jurisdiction should be consulted before construction.
- Fire resistance assemblies and products are developed by the design submitter and have been investigated by UL for compliance with applicable requirements. The published information cannot always address every construction nuance encountered in the field.
- When field issues arise, it is recommended the first contact for assistance be the technical service staff provided by the product manufacturer noted for the design. Users of fire resistance assemblies are advised to consult the general Guide Information for each product category and each group of assemblies. The Guide Information includes specifics concerning alternate materials and alternate methods of construction.
- Only products which bear UL's Mark are considered Certified.

XHEZ - Through-penetration Firestop Systems XHEZ7 - Through-penetration Firestop Systems Certified for Canada

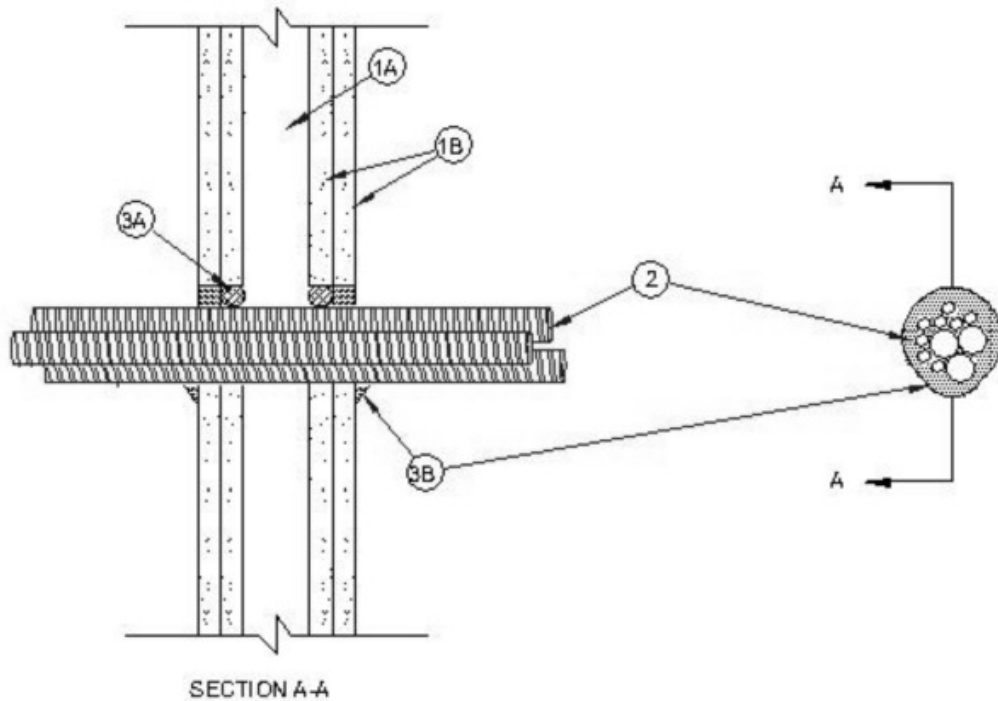
See General Information for Through-penetration Firestop Systems

See General Information for Through-penetration Firestop Systems Certified for Canada

System No. W-L-1577

May 23, 2019

ANSI/UL1479 (ASTM E814)	CAN/ULC S115
F Rating — 1 and 2 Hr (See Item 1)	F Rating — 1 and 2 Hr (See Item 1)
T Rating — 3/4 and 1-1/2 Hr (See Item 1)	FT Rating — 3/4 and 1-1/2 Hr (See Item 1)
L Rating At Ambient — Less Than 1 CFM/sq ft	FH Rating — 1 and 2 Hr (See Item 1)
L Rating At 400 F — Less Than 1 CFM/sq ft	FTH Rating — 3/4 and 1-1/2 Hr (See Item 1)
	L Rating At Ambient — Less Than 5.1.L/s/m ²
	L Rating At 204 C— Less Than 5.1.L/s/m ²



1. **Wall Assembly** — The 1 or 2 hr fire rated gypsum board/stud wall assembly shall be constructed of the materials and in the manner described in the individual U300, U400, V400 or W400 Series Wall and Partition Design in the UL Fire Resistance Directory and shall include the following construction features:

A. **Studs** — Wall framing may consist of either wood or steel channel studs. Wood studs to consist of nom 2 by 4 in. (51 by 102 mm) lumber spaced 16 in. (406 mm) OC. Steel studs to be min 3-1/2 in. (89 mm) wide spaced max 24 in. (610 mm) OC.

B. **Gypsum Board*** — The gypsum board type, thickness, number of layers, fastener type and sheet orientation shall be as specified in the individual Wall and Partition Design in the UL Fire Resistance Directory. Max diam of opening is 6 in. (152 mm).

The hourly F and T Rating of the firestop system are dependent on the hourly fire rating of the wall assembly in which it is installed as shown in the table below:

Rating of Wall, Hr	F Rating, Hr	T Rating, Hr
2	2	1-1/2
1	1	3/4

2. **Through Penetrating Product*-Flexible Metal Piping** — One or more nom 1-1/4 in. (32 mm) diam (or smaller) flexible metal pipes installed concentrically or eccentrically within opening. Annular space between penetrants and periphery of opening to be min 0 in. (0 mm) to max 2 in. (51 mm). Space between penetrants shall be min 0 in. (0 mm) to max 2 in. (51 mm). Penetrants to be rigidly supported on both sides of wall.

OMEGA FLEX INC

GASTITE, DIV OF TITFLEX — CSST or FlashShield CSST

WARD MFG L L C

3A. **Packing Material** — In 2 Hr rated walls assemblies, foam backer rod firmly packed into opening as permanent form. Packing material to be recessed from both wall surfaces as required in accommodate the required thickness of fill material.

3B. **Fill, Void or Cavity Materials* — Caulk or Sealant** — Min 5/8 in. (16 mm) thickness of caulk applied within annulus, flush with both surfaces of wall. Min 1/2 in. (6 mm) diam bead of caulk applied to gypsum board/penetrant interface at point contact location on both sides of wall.

RELiance WORLDWIDE CORPORATION DBA HOLDRITE HYDROFLAME — HydroFlame 100, HydroFlame 200

*** Indicates such products shall bear the UL or cUL Certification Mark for jurisdictions employing the UL or cUL Certification (such as Canada), respectively.**

Last Updated on 2019-05-23

UL permits the reproduction of the material contained in the Online Certification Directory subject to the following conditions: 1. The Guide Information, Assemblies, Constructions, Designs, Systems, and/or Certifications (files) must be presented in their entirety and in a non-misleading manner, without any manipulation of the data (or drawings). 2. The statement "Reprinted from the Online Certifications Directory with permission from UL" must appear adjacent to the extracted material. In addition, the reprinted material must include a copyright notice in the following format: "© 2019 UL LLC"