

System No. F-A-1107 XHEZ.F-A-1107 Through-penetration Firestop Systems

[Page Bottom](#)

Design/System/Construction/Assembly Usage Disclaimer

- Authorities Having Jurisdiction should be consulted in all cases as to the particular requirements covering the installation and use of UL Certified products, equipment, system, devices, and materials.
 - Authorities Having Jurisdiction should be consulted before construction.
 - Fire resistance assemblies and products are developed by the design submitter and have been investigated by UL for compliance with applicable requirements. The published information cannot always address every construction nuance encountered in the field.
 - When field issues arise, it is recommended the first contact for assistance be the technical service staff provided by the product manufacturer noted for the design. Users of fire resistance assemblies are advised to consult the general Guide Information for each product category and each group of assemblies. The Guide Information includes specifics concerning alternate materials and alternate methods of construction.
 - Only products which bear UL's Mark are considered Certified.
-

XHEZ - Through-penetration Firestop Systems

[See General Information for Through-penetration Firestop Systems](#)

System No. F-A-1107

June 04, 2013

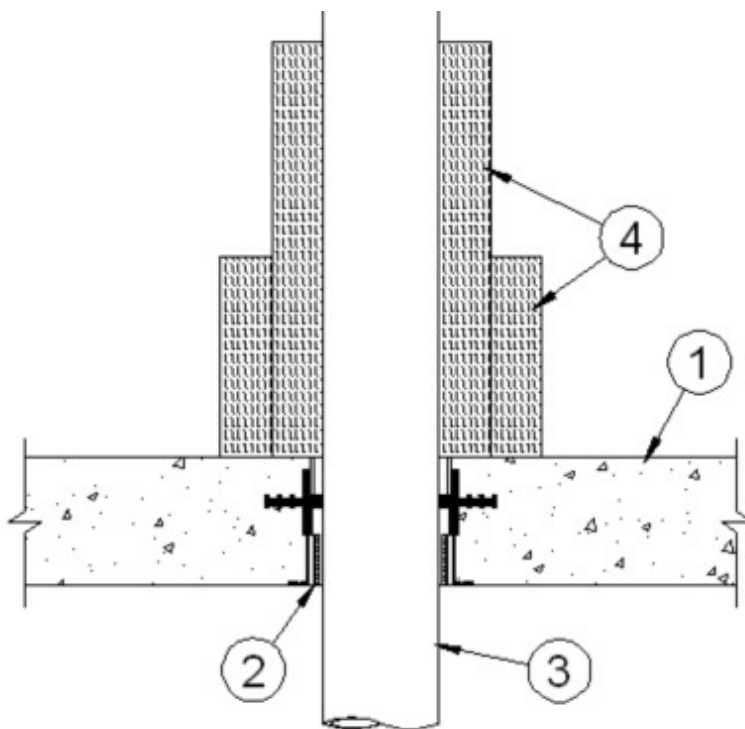
F Rating — 3 Hr

T Rating — 2 Hr

L Rating at Ambient — Less Than 1 CFM/sq ft

L Rating at 400°F — Less than 1 CFM/sq ft

W Rating — Class 1



1. **Floor Assembly** — Min 4-1/2 in. (114 mm) thick reinforced lightweight or normal weight (100-150 pcf or 1600-2400 kg/m³) concrete.

2. **Firestop Device*** — Cast in place firestop device permanently embedded during concrete placement in accordance with accompanying installation instructions. The device shall be installed flush with top and bottom surfaces of floor.

SECURUS INC, DBA HOLDRITE — HydroFlame PS-CH, PS-CI, PS-CX, PS-CT, PS-ET, PS-ST

3. **Through-Penetrant** — One metallic pipe, conduit or tubing to be installed within the firestop device. Pipe, conduit or tubing to be installed in accordance with firestop installation instructions and rigidly supported on both sides of floor assembly. The following types and sizes of penetrants may be used:

- A. **Steel Pipe** — Nom 6 in. (152 mm) diam (or smaller) Schedule 10 (or heavier) steel pipe.
- B. **Iron Pipe** — Nom 6 in. (152 mm) diam (or smaller) cast or ductile iron pipe.
- C. **Copper Tubing** — Nom 4 in. (102 mm) diam (or smaller) Type L (or heavier) copper tubing.
- D. **Copper Pipe** — Nom 4 in. (102 mm) diam (or smaller) Regular (or heavier) copper pipe.
- E. **Conduit** — Nom 6 in. (152 mm) diam (or smaller) steel conduit or nom 4 in. (102 mm) diam (or smaller) steel electrical metallic tubing.

4. **Duct Wrap Material*** — Nom 2 in. (51 mm) thick duct wrap tightly wrapped around penetrant to extend 36 in. (914 mm) above floor. An additional layer of nom 2 in. (51 mm) thick duct wrap tightly wrapped around the first layer of duct wrap to extend 12 in. (305 mm) (914 mm) above floor. All longitudinal seams of both layers of duct wrap are sealed with foil tape.

3M COMPANY 3M FIRE PROTECTION PRODUCTS — FireBarrier Duct Wrap 20A

* Indicates such products shall bear the UL or cUL Certification Mark for jurisdictions employing the UL or cUL Certification (such as Canada), respectively.

Last Updated on 2013-06-04

[Questions?](#)

[Print this page](#)

[Terms of Use](#)

[Page Top](#)

under UL's Follow-Up Service. Only those products bearing the UL Mark should be considered to be certified and covered under UL's Follow-Up Service. Always look for the Mark on the product.

UL permits the reproduction of the material contained in the Online Certification Directory subject to the following conditions: 1. The Guide Information, Assemblies, Constructions, Designs, Systems, and/or Certifications (files) must be presented in their entirety and in a non-misleading manner, without any manipulation of the data (or drawings). 2. The statement "Reprinted from the Online Certifications Directory with permission from UL" must appear adjacent to the extracted material. In addition, the reprinted material must include a copyright notice in the following format: "© 2016 UL LLC".