

System No. F-A-1109 XHEZ.F-A-1109 Through-penetration Firestop Systems

[Page Bottom](#)

Design/System/Construction/Assembly Usage Disclaimer

- Authorities Having Jurisdiction should be consulted in all cases as to the particular requirements covering the installation and use of UL Certified products, equipment, system, devices, and materials.
- Authorities Having Jurisdiction should be consulted before construction.
- Fire resistance assemblies and products are developed by the design submitter and have been investigated by UL for compliance with applicable requirements. The published information cannot always address every construction nuance encountered in the field.
- When field issues arise, it is recommended the first contact for assistance be the technical service staff provided by the product manufacturer noted for the design. Users of fire resistance assemblies are advised to consult the general Guide Information for each product category and each group of assemblies. The Guide Information includes specifics concerning alternate materials and alternate methods of construction.
- Only products which bear UL's Mark are considered Certified.

XHEZ - Through-penetration Firestop Systems

XHEZ7 - Through-penetration Firestop Systems Certified for Canada

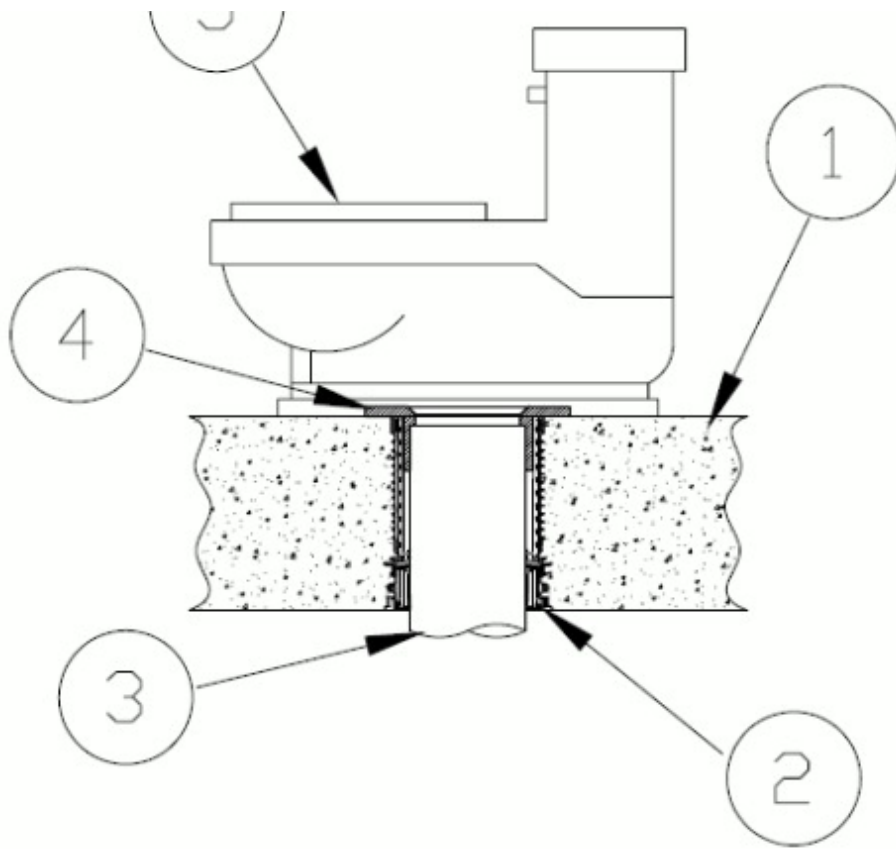
[See General Information for Through-penetration Firestop Systems](#)

[See General Information for Through-penetration Firestop Systems Certified for Canada](#)

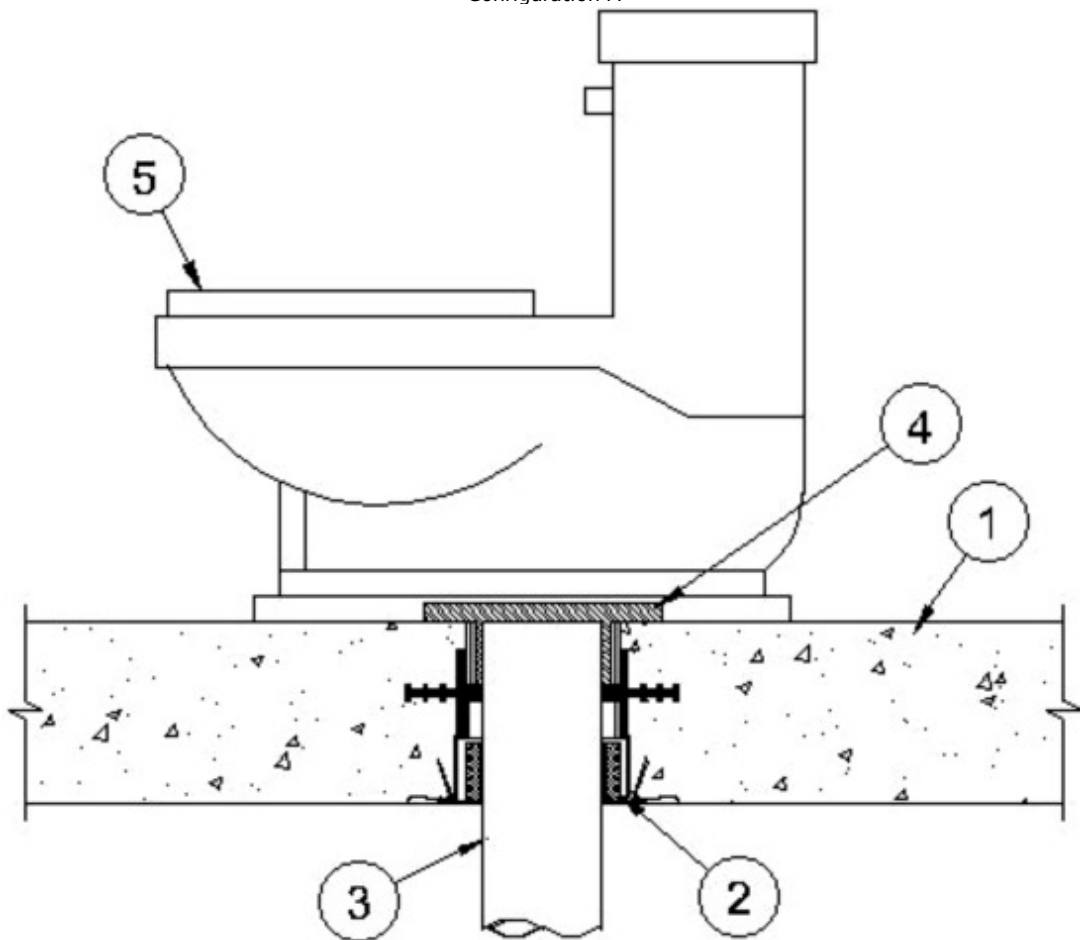
System No. F-A-1109

September 12, 2016

ANSI/UL1479 (ASTM E814)	CAN/ULC S115
F Rating — 3 Hr	F Rating — 3 Hr
T Rating — 0 Hr	FT Rating — 0 Hr
L Rating At Ambient — Less Than 1 CFM/sq ft	FH Rating — 3 Hr
L Rating At 400 F — Less Than 1 CFM/sq ft	FTH Rating — 0 Hr
W Rating — Class 1	L Rating At Ambient — Less Than 5.1 L/s/m ²
	L Rating At 400 F — Less Than 5.1 L/s/m ²



Configuration A



Configuration B

kg/m³) concrete floor measured over the base of the device.

1A. **Floor Assembly** — (Not Shown) — The fire-rated concrete and fluted steel deck floor assembly shall be constructed of the materials and in the manner specified in the individual D900 Series designs in the UL Fire Resistance Directory and as summarized below:

- A. **Concrete** — Config A Min 2-1/2 in. (64 mm) or Config B Min 4-1/2 in. (114 mm) thick reinforced lightweight or normal weight (100-150 pcf or 1600-2400 kg/m³) concrete topping, as measured over crests of fluted floor units or the top of the base of the device.
- B. **Steel Floor and Form Units*** — Composite or noncomposite max 3 in. (76 mm) deep fluted galv units as specified in the individual Floor-Ceiling design. Diam of opening cut through fluted floor unit to be maximum 1/4 in. (6 mm) larger than outside diameter of bottom extension portion of firestop device base.

Configuration A

2. **Firestop Device*** — Cast-in-place firestop device permanently embedded during concrete placement in accordance with accompanying installation instructions. The device shall be installed flush with top and bottom surfaces of floor. For HFP devices the optional accessories (not shown) includes a sleeve extension, aerator adaptor, deck adapter and/or water module installed in accordance with installation instructions. The devices are sized to accommodate installed pipe sizes.

Nom Pipe Diam in. (mm)	Firestop Devices for Concrete Slab	Firestop Devices for Fluted Deck (Not Shown)
3 (76)	HFP-CF3NH, HFP-CF3NHB, HFP-M3, HFP-M3B, HFP-P3, HFP-P3B HFP-CF3PL, HFP-CF3PLB	add HFPCD3
3 to 4 (76 to 102)	HFP-CF4HN, HFP-CF4NHB, HFP-M4, HFP-M4B, HFP-P4, HFP-P4B HFP-CF4PL, HFP-CF4PLB	add HFPCD4

SECURUS INC, DBA HOLDRITE — HydroFlame HFP-CFxNH, HFP-CFxNHB, HFP-CFxPL, HFP-CFxPLB HFP-M3, HFP-M3B, HFP-P3, HFP-P3B, HFP-M4, HFP-M4B, HFP-P4, HFP-P4B

Configuration B

2. **Firestop Device*** — Cast-in-place firestop device permanently embedded during concrete placement in accordance with accompanying installation instructions. The device shall be installed flush with top and bottom surfaces of floor. Optional accessories (not shown) includes aerator adapter installed in accordance with the installation instructions The devices are sized to accommodate the pipe sizes installed.

SECURUS INC, DBA HOLDRITE — HydroFlame PS-CICF-xxxx, PS-CXCF-xxxx, CD-CICF-xxxx, CD-CXCF-xxxx

3. **Waste Pipe** — One nom 3 in. (76 mm) or 4 in. (102 mm) diam cast iron pipe to be installed within the firestop device. Pipe to be installed approximately flush with top surface of floor in accordance with firestop device installation instructions and to be rigidly supported on underside of floor assembly.

4. **Toilet Flange** — Cast iron toilet flange with nominal 7 in. (178 mm) diam top ring and with nominal 4 in. (102 mm) OD throat sized to fit both 3 in. (76 mm) and 4 in. (102 mm) diam drain piping. Toilet flange secured inside metallic pipe (Item 3) and secured to top surface of floor with closet bolts.

5. **Water Closet** — Floor mounted vitreous china water closet.

*** Indicates such products shall bear the UL or cUL Certification Mark for jurisdictions employing the UL or cUL Certification (such as Canada), respectively.**

Last Updated on 2016-09-12

[Questions?](#)

[Print this page](#)

[Terms of Use](#)

[Page Top](#)

The appearance of a company's name or product in this database does not in itself assure that products so identified have been manufactured under UL's Follow-Up Service. Only those products bearing the UL Mark should be considered to be Certified and covered under UL's Follow-Up Service. Always look for the Mark on the product.

UL permits the reproduction of the material contained in the Online Certification Directory subject to the following conditions: 1. The Guide Information, Assemblies, Constructions, Designs, Systems, and/or Certifications (files) must be presented in their entirety and in a non-

