



**System No. F-A-2035
XHEZ.F-A-2035
Through-penetration Firestop Systems**

[Page Bottom](#)

Design/System/Construction/Assembly Usage Disclaimer

- Authorities Having Jurisdiction should be consulted in all cases as to the particular requirements covering the installation and use of UL Certified products, equipment, system, devices, and materials.
 - Authorities Having Jurisdiction should be consulted before construction.
 - Fire resistance assemblies and products are developed by the design submitter and have been investigated by UL for compliance with applicable requirements. The published information cannot always address every construction nuance encountered in the field.
 - When field issues arise, it is recommended the first contact for assistance be the technical service staff provided by the product manufacturer noted for the design. Users of fire resistance assemblies are advised to consult the general Guide Information for each product category and each group of assemblies. The Guide Information includes specifics concerning alternate materials and alternate methods of construction.
 - Only products which bear UL's Mark are considered Certified.
-

XHEZ - Through-penetration Firestop Systems

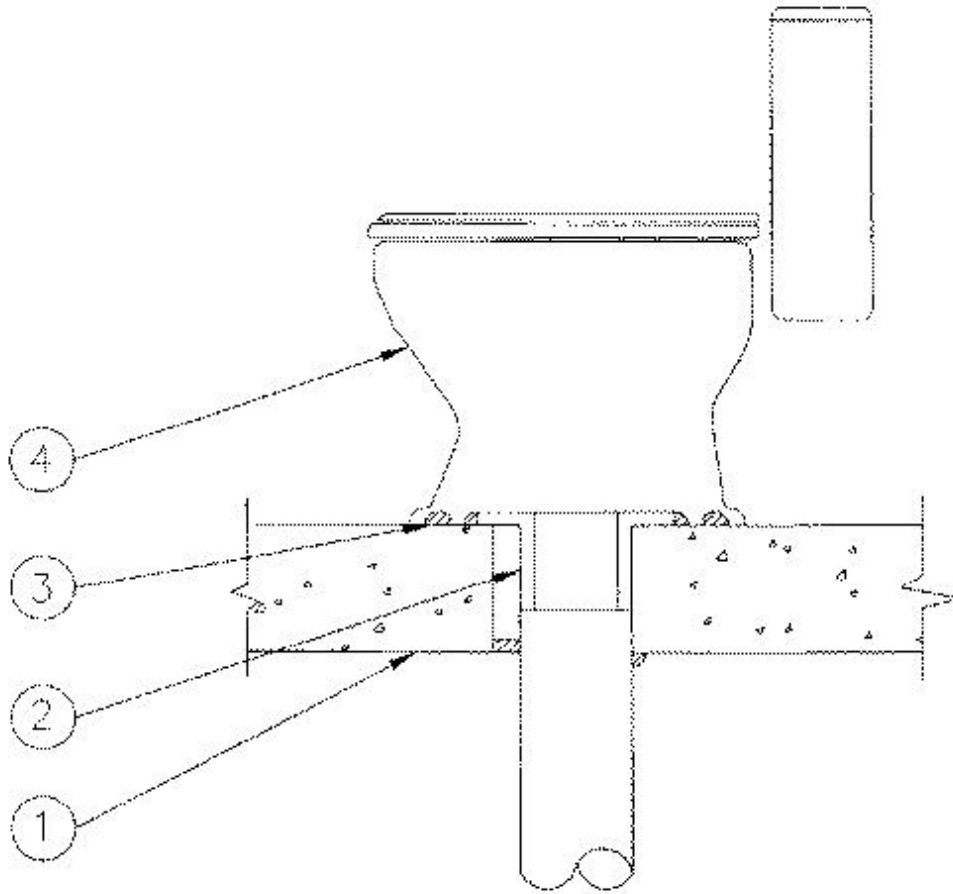
[See General Information for Through-penetration Firestop Systems](#)

System No. F-A-2035

December 07, 2002

F Rating — 2 Hr

T Rating — 2 Hr



1. **Floor Assembly** — Min 4-1/2 in. thick lightweight or normal weight concrete (100-150 pcf). Max diam of opening is 6 in.

2. **Nonmetallic Pipe** — One nonmetallic drain pipe with max 4 in. diam toilet flange installed either concentrically or eccentrically within the firestop system. The annular space between drain pipe and periphery of opening shall be min 0 in. (point contact) to max 1-1/2 in. Pipe to be rigidly supported on lower side of floor assembly. The following types and sizes of nonmetallic pipes, fittings and flanges may be used:

A. **Polyvinyl Chloride (PVC) Pipe** — Nom 4 in. diam (or smaller) Schedule 40 solid core or cellular core PVC pipe for use in vented (drain, waste or vent) piping system.

B. **Acrylonitrile Butadiene Styrene (ABS) Pipe** — Nom 4 in. diam (or smaller) Schedule 40 cellular core or solid core ABS pipe for use in vented (drain, waste or vent) piping systems.

3. **Fill, Void or Cavity Material* — Sealant** — Min 1 in. thickness of fill material applied within the annulus, flush with bottom surface of floor. At point contact location between concrete and pipe, a min 1/2 in. diam bead of fill material shall be applied at the pipe/concrete interface on bottom surface of floor assembly. A min 1/2 in. diam bead of fill material shall also be applied around top edge of toilet flange. Prior to placement of water closet, a min 1/2 in. diam bead of fill material shall be applied to the bottom surface of the outer rim of the water closet.

PASSIVE FIRE PROTECTION PARTNERS — 3600EX, 4800 DW

4. **Water Closet** — Floor mounted vitreous china water closet.

*** Indicates such products shall bear the UL or cUL Certification Mark for jurisdictions employing the UL or cUL Certification (such as Canada), respectively.**

Last Updated on 2002-12-07

[Questions?](#)

[Print this page](#)

[Terms of Use](#)

[Page Top](#)

© 2017 UL LLC

The appearance of a company's name or product in this database does not in itself assure that products so identified have been manufactured under UL's Follow-Up Service. Only those products bearing the UL Mark should be considered to be Certified and covered under UL's Follow-Up Service. Always look for the Mark on the product.

UL permits the reproduction of the material contained in the Online Certification Directory subject to the following conditions: 1. The Guide Information, Assemblies, Constructions, Designs, Systems, and/or Certifications (files) must be presented in their entirety and in a non-

misleading manner, without any manipulation of the data (or drawings). 2. The statement "Reprinted from the Online Certifications Directory with permission from UL" must appear adjacent to the extracted material. In addition, the reprinted material must include a copyright notice in the following format: "© 2017 UL LLC".