



**System No. F-A-1154  
XHEZ7.F-A-1154  
Through-penetration Firestop Systems Certified for Canada**

[Page Bottom](#)

**Design/System/Construction/Assembly Usage Disclaimer**

- Authorities Having Jurisdiction should be consulted in all cases as to the particular requirements covering the installation and use of UL Certified products, equipment, system, devices, and materials.
- Authorities Having Jurisdiction should be consulted before construction.
- Fire resistance assemblies and products are developed by the design submitter and have been investigated by UL for compliance with applicable requirements. The published information cannot always address every construction nuance encountered in the field.
- When field issues arise, it is recommended the first contact for assistance be the technical service staff provided by the product manufacturer noted for the design. Users of fire resistance assemblies are advised to consult the general Guide Information for each product category and each group of assemblies. The Guide Information includes specifics concerning alternate materials and alternate methods of construction.
- Only products which bear UL's Mark are considered Certified.

**XHEZ - Through-penetration Firestop Systems**

**XHEZ7 - Through-penetration Firestop Systems Certified for Canada**

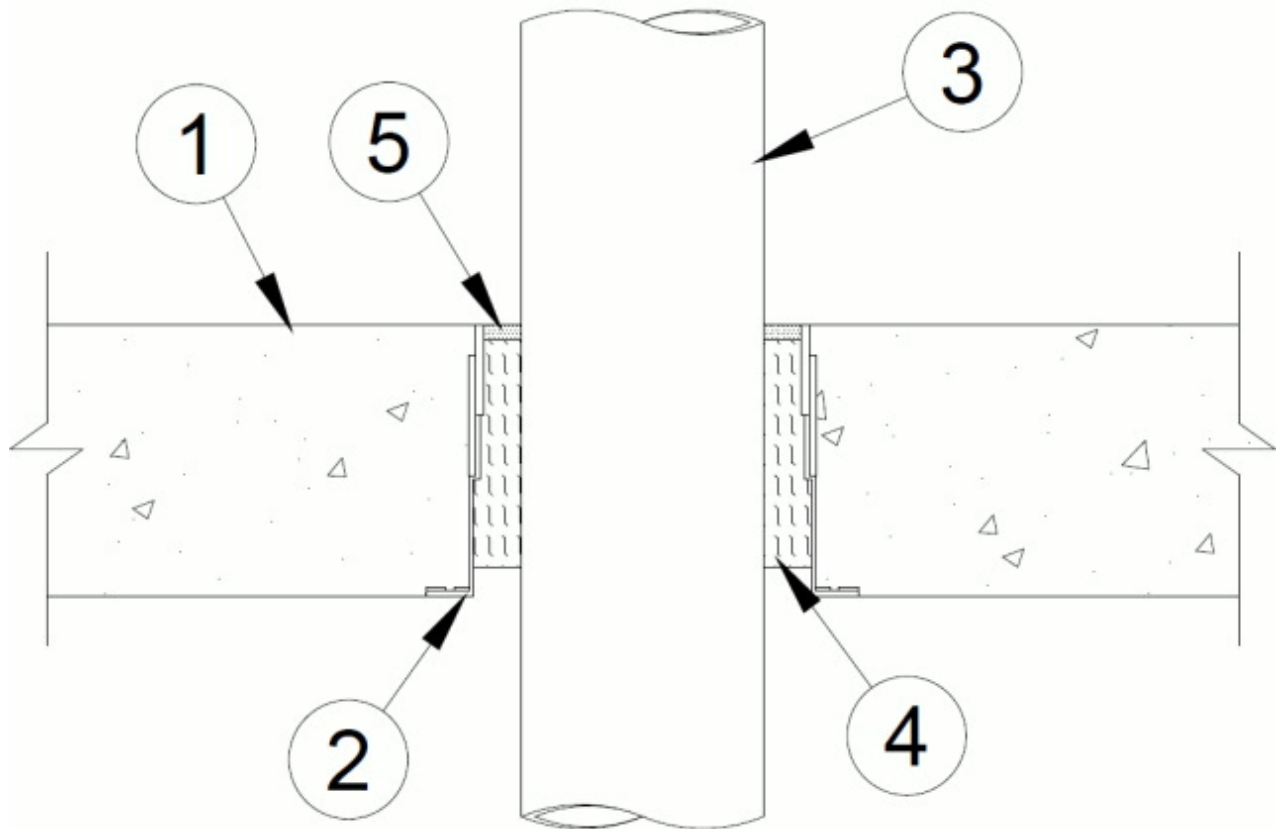
[See General Information for Through-penetration Firestop Systems](#)

[See General Information for Through-penetration Firestop Systems Certified for Canada](#)

**System No. F-A-1154**

June 28, 2016

<b>ANSI/UL1479 (ASTM E814)</b>	<b>CAN/ULC S115</b>
F Rating — 2 Hr	F Rating — 2 Hr
T Rating — 0 Hr	FT Rating — 0 Hr
L Rating At Ambient — Less Than 1 CFM/sq ft	FH Rating — 2 Hr
L Rating At 400 F — 2 CFM/sq ft	FTH Rating — 0 Hr
W Rating — Class 1	L Rating At Ambient — Less Than 5.1 L/s/m <sup>3</sup>
	L Rating At 400 F — 10.2 L/s/m <sup>3</sup>



1. **Floor Assembly** — Min 4-1/2 in. (114 mm) thick reinforced lightweight or normal weight (100-150 pcf or 1600-2400 kg/m<sup>3</sup>) concrete.

2. **Firestop Device\*** — Max 8 in. (203 mm) diam cast in place firestop device permanently embedded during concrete placement in accordance with accompanying installation instructions. The device shall be installed flush with top and bottom surfaces of floor.

**SECURUS INC, DBA HOLDRITE** — HydroFlame WD Sleeve

When HydroFlame WD 0600 Sleeve is used, the nominal 1 by 0.3 in. (25 by 7.6 mm) void created by the stepped base within the sleeve shall be tightly-packed with mineral wool batt insulation (Item 4) during firestop installation if concrete floor assembly is less than 7 in. (178 mm) thick.

3. **Through-Penetrant** — One metallic pipe, conduit or tubing installed concentrically within the firestop system. The annular space shall be min 1/2 in. (13 mm) to max 2-3/8 in. (60 mm). Pipe, conduit or tubing to be rigidly supported on both sides of floor assembly. The following types of pipe, conduit or tubing may be used:

- A. **Steel Pipe** — Nom 4 in. (102 mm) diam (or smaller) Schedule 10 (or heavier) steel pipe.
- B. **Conduit** — Nom 4 in. (102 mm) diam (or smaller) steel electrical metallic tubing (EMT) or steel conduit.
- C. **Copper Tubing** — Nom 4 in. (102 mm) diam (or smaller) Type M (or heavier) copper tubing.
- D. **Iron Pipe** — Nom 6 in. (152 mm) diam (or smaller) cast or ductile iron pipe.

4. **Packing Material** — Min 3-3/4 in. (95 mm) thickness of min 4 pcf (64 kg/m<sup>3</sup>) mineral wool batt insulation firmly packed into opening as a permanent form so that the width of the wool is compressed at least 50 percent. Packing material to be recessed from top surface of floor as required to accommodate the required thickness of fill material.

5. **Fill, Void or Cavity Material\* — Sealant** — Min 1/4 in. (6 mm) thickness of sealant applied within the annulus, flush with the top surface of floor. Sealant must lap onto top surface of concrete floor around entire perimeter of firestop device to attain W Rating.

**TREMCO INC** — Fyre-Sil Sealant or Fyre-Sil S.L. Sealant

6. **Pipe Tee Fitting System** — (Optional, Not Shown) — For use with Iron Pipe (Item 3D) only. One nom 6 in. (152 mm) diam (or smaller) PVC TESTRITE TEE Fitting (matched to penetrant diameter). The PVC TESTRITE TEE Fitting is secured to metallic penetrant (Item 3D) with compression type pipe coupling elastomeric gasket with stainless steel jacket and stainless steel band clamps for use in vented (drain, waste or vent) iron pipe systems. Installed (Item 3D) penetrant shall extend a minimum of 6 in. (152 mm) above the surface of the floor and minimum 12 in. (302 mm) below the bottom surface of the floor above assembly.

**\* Indicates such products shall bear the UL or cUL Certification Mark for jurisdictions employing the UL or cUL Certification (such as Canada), respectively.**

Last Updated on 2016-06-28

---

[Questions?](#)

[Print this page](#)

[Terms of Use](#)

[Page Top](#)

© 2017 UL LLC

The appearance of a company's name or product in this database does not in itself assure that products so identified have been manufactured under UL's Follow-Up Service. Only those products bearing the UL Mark should be considered to be Certified and covered under UL's Follow-Up Service. Always look for the Mark on the product.

UL permits the reproduction of the material contained in the Online Certification Directory subject to the following conditions: 1. The Guide Information, Assemblies, Constructions, Designs, Systems, and/or Certifications (files) must be presented in their entirety and in a non-misleading manner, without any manipulation of the data (or drawings). 2. The statement "Reprinted from the Online Certifications Directory with permission from UL" must appear adjacent to the extracted material. In addition, the reprinted material must include a copyright notice in the following format: "© 2017 UL LLC".