



**System No. F-B-1017
XHEZ7.F-B-1017
Through-penetration Firestop Systems Certified for Canada**

[Page Bottom](#)

Design/System/Construction/Assembly Usage Disclaimer

- Authorities Having Jurisdiction should be consulted in all cases as to the particular requirements covering the installation and use of UL Certified products, equipment, system, devices, and materials.
- Authorities Having Jurisdiction should be consulted before construction.
- Fire resistance assemblies and products are developed by the design submitter and have been investigated by UL for compliance with applicable requirements. The published information cannot always address every construction nuance encountered in the field.
- When field issues arise, it is recommended the first contact for assistance be the technical service staff provided by the product manufacturer noted for the design. Users of fire resistance assemblies are advised to consult the general Guide Information for each product category and each group of assemblies. The Guide Information includes specifics concerning alternate materials and alternate methods of construction.
- Only products which bear UL's Mark are considered Certified.

XHEZ - Through-penetration Firestop Systems

XHEZ7 - Through-penetration Firestop Systems Certified for Canada

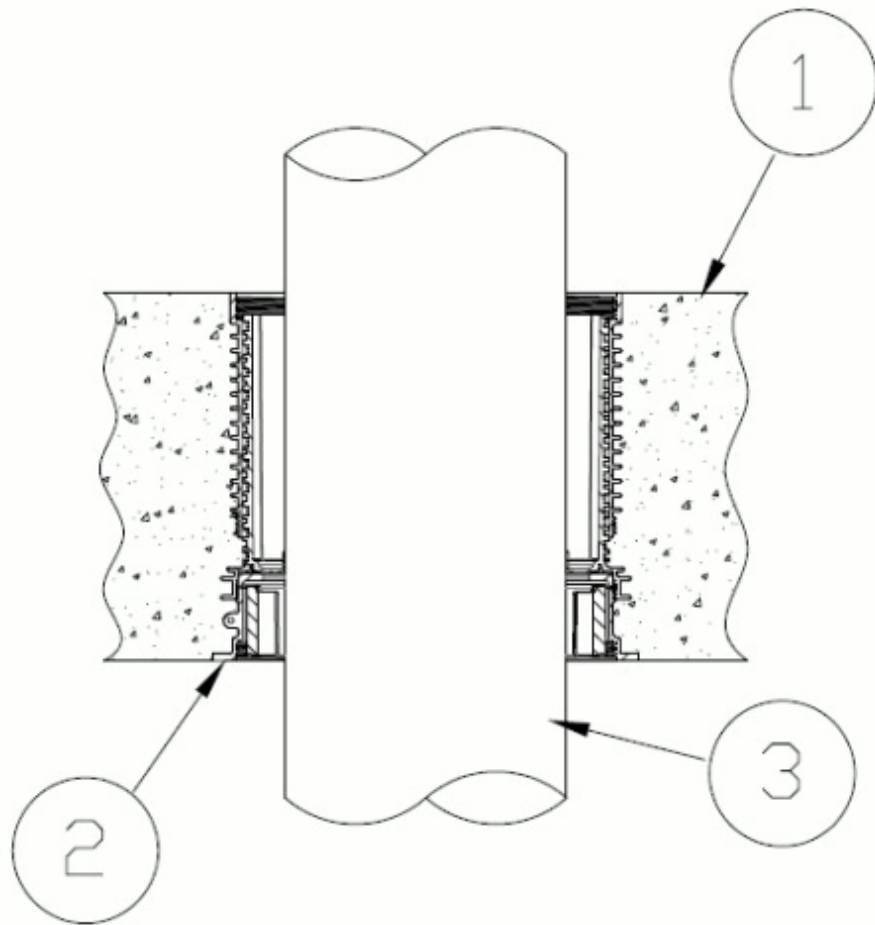
[See General Information for Through-penetration Firestop Systems](#)

[See General Information for Through-penetration Firestop Systems Certified for Canada](#)

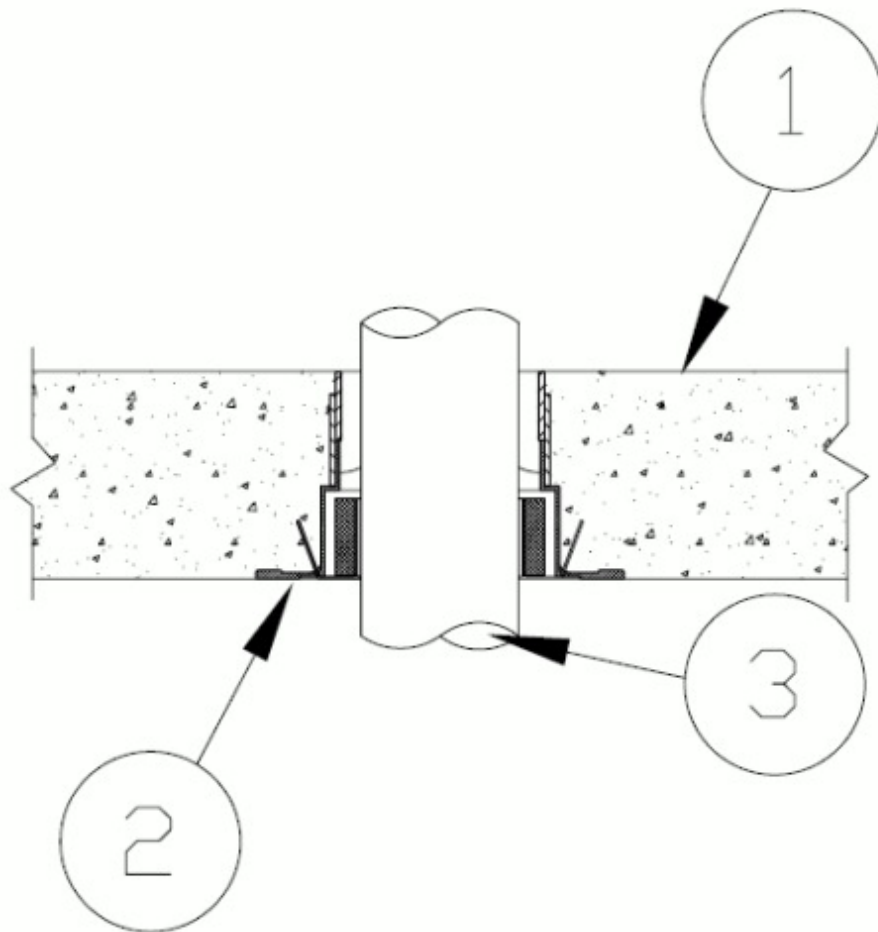
System No. F-B-1017

February 01, 2017

| ANSI/UL1479 (ASTM E814) | CAN/ULC S115 |
|--|---|
| F Rating — 3 Hr | F Rating — 3 Hr |
| T Rating — 0 Hr | FT Rating — 0 Hr |
| L Rating At Ambient — Less Than 1 CFM/Lin Ft | FH Rating — 3 Hr |
| L Rating At 400°F — Less Than 1 CFM/Lin Ft | FTH Rating — 0 Hr |
| W Rating — Class 1 (See Item 5) | L Rating At Ambient — Less Than 5.1L/s-m ² |
| | L Rating At 400°F — Less Than 5.1L/s-m ² |



Configuration A



Configuration B

System tested with a pressure differential of 2.5 Pa between the exposed and the unexposed surfaces with the higher pressure on the exposed side.

1. **Floor Assembly** — Min 6 in. (152 mm) thick reinforced lightweight or normal weight (100-150 pcf or 1600-2400 kg/m³) concrete measured above the base of the device.

2. **Firestop Device*** — Cast in place firestop device permanently embedded during concrete placement in accordance with accompanying installation instructions. The device shall be installed flush with top and bottom surfaces of floor. The devices are sized to accommodate the following nom pipe sizes:

Configuration A HFP devices and optional accessories (not shown) includes sleeve extension, water module, aerator adapter and/or Water dam installed in accordance with installation instructions.

Configuration B devices, optional accessory (not shown) aerator adapter installed in accordance with the installation instructions.

The devices are sized to accommodate the following nom pipe sizes:

| Nom Pipe Diam in. (mm) | Conf A Firestop Devices for Concrete Slab | Conf B Firestop Devices for Concrete Slab |
|------------------------|---|---|
| 1/2 to 1 (13 to 25) | HFP-M1, HFP-M1B, HFP-P1, HFP-P1B | WD-PL-0100, OPS-PL-0100, OPS-MT-0100 |
| 1-1/4 to 2 (32 to 51) | HF-M2, HFP-M2B, HFP-P2, HFP-P2B | WD-PL-0200, OPS-PL-0200, OPS-MT-0200 |
| 2 to 3 (51 to 76) | HFP-M3, HFP-M3B, HFP-P3, HFP-P3B | WD-PL-0300, OPS-PL-0300, OPS-MT-0300 |
| 3 to 4 (76 to 102) | HFP-M4, HFP-M4B, HFP-P4, HFP-P4B | WD-PL-0400, OPS-PL-0400, OPS-MT-0400 |
| 5 to 6 (127 to 152) | HFP-M6, HFP-M6B, HFP-P6, HFP-P6B | WD-PL-0600, OPS-PL-0600, OPS-MT-0600 |

SECURUS INC, DBA HOLDRITE — HydroFlame OPS-MT, OPS-PL, WD-PL, HFP-Mx, HFP-MxB, HFP-Px HFP-PxB

3. **Through Penetrant** — One metallic pipe, conduit or tubing to be installed within the firestop device. Pipe, conduit or tubing to be installed in accordance with firestop device installation instructions and rigidly supported on both sides of floor assembly. The following types of pipe, conduit or tubing may be used:

- A. **Steel Pipe** — Nom 6 in. (152 mm) diam (or smaller) Schedule 10 (or heavier) steel pipe.
- B. **Iron Pipe** — Nom 6 in. (152 mm) diam (or smaller) cast or ductile iron pipe.
- C. **Conduit** — Nom 6 in. (152 mm) diam (or smaller) rigid steel conduit or nom 4 in. (102 mm) diam steel electrical metallic tubing.
- D. **Copper Tubing** — Nom 6 in. (152 mm) diam (or smaller) Type L (or heavier) copper tubing.
- E. **Copper Pipe** — Nom 6 in. (152 mm) diam (or smaller) Regular (or heavier) copper pipe.

4. **Packing Material** — (Optional, Not Shown) — Min 2 in. (51 mm) depth of min 4 pcf (64 kg/m³) mineral wool batt insulation tightly-packed into annular space between penetrant and device with its top surface flush with the top surface of the floor. When optional sealant (Item 5) is used, top surface of packing material to be recessed min 1/4 in. (6 mm) from top surface of floor. Config. B (Only) W Rating applies only when packing material and sealant (Item 5) is used.

4A. **Packing Material** — (Optional instead of 4, Not Shown) — Foam backer rod firmly packed into opening as a permanent form. Packing material to be recessed from top surface of floor as required to accommodate the required thickness of fill material.

5. **Fill, Void or Cavity Material* — Sealant** — (Optional, Not Shown) — Min 1/4 in. (6 mm) thickness of sealant applied within the annulus, flush with the top surface of floor. Conf B (Only), Sealant to lap min 1/2 in. (13 mm) onto top surface of concrete around perimeter of firestop device. As an alternate 100% silicone sealant can be used.

For Configuration B, W Rating and L Ratings apply only when packing material (Item 4) and sealant (Item 5) is used.

3M COMPANY 3M FIRE PROTECTION PRODUCTS — FB-1000 NS, FB-3000 WT or FB-1003 SL

RECTORSEAL — Metacaulk 835+ or Biotherm 100 or 200

6. **Pipe Tee Fitting System** — (Optional, Not Shown) — For use with Iron Pipe (Item 3B) only, One nom 6 in. (152 mm) diam (or smaller) PVC TESTRITE TEE Fitting (matched to penetrant diameter). The PVC TESTRITE TEE Fitting is secured to metallic penetrant (Item 3B) with compression type pipe coupling elastomeric gasket with stainless steel

jacket and stainless steel band clamps for use in vented (drain, waste or vent) iron pipe systems. Installed (Item 3B) penetrant shall extend a minimum of 6 in. (152 mm) above the surface of the floor and minimum 12 in. (302 mm) below the bottom surface of the floor assembly.

*** Indicates such products shall bear the UL or cUL Certification Mark for jurisdictions employing the UL or cUL Certification (such as Canada), respectively.**

Last Updated on 2017-02-01

[Questions?](#)

[Print this page](#)

[Terms of Use](#)

[Page Top](#)

© 2017 UL LLC

The appearance of a company's name or product in this database does not in itself assure that products so identified have been manufactured under UL's Follow-Up Service. Only those products bearing the UL Mark should be considered to be Certified and covered under UL's Follow-Up Service. Always look for the Mark on the product.

UL permits the reproduction of the material contained in the Online Certification Directory subject to the following conditions: 1. The Guide Information, Assemblies, Constructions, Designs, Systems, and/or Certifications (files) must be presented in their entirety and in a non-misleading manner, without any manipulation of the data (or drawings). 2. The statement "Reprinted from the Online Certifications Directory with permission from UL" must appear adjacent to the extracted material. In addition, the reprinted material must include a copyright notice in the following format: "© 2017 UL LLC".